

# Datasheet

**APM32F103x4x6x8**

**Arm<sup>®</sup> Cortex<sup>®</sup>-M3 based 32-bit MCU**

**Version: V1.5**

# 1. Product characteristics

## ■ Core

- 32-bit Arm® Cortex®-M3 core
- Up to 96MHz working frequency

## ■ On-chip memory

- Flash: 64KB
- SRAM: 20KB

## ■ Clock

- HSECLK: 4~16MHz external crystal/ceramic oscillator supported
- LSECLK: 32.768KHz crystal/ceramic oscillator supported
- HSICLK: 8MHz RC oscillator calibrated by factory
- LSICLK: 40KHz RC oscillator supported
- PLL: Phase locked loop, 2~16 times of frequency supported

## ■ Reset and power management

- V<sub>DD</sub> range: 2.0~3.6V
- V<sub>DPA</sub> range: 2.0~3.6V
- V<sub>BAT</sub> range of backup domain power supply: 1.8V~3.6V
- Power-on/power-down reset (POR/PDR) supported
- Programmable power supply voltage detector supported(PVD)

## ■ Low-power mode

- Sleep, stop and standby modes supported

## ■ DMA

- One 7-channel DMA

## ■ Debugging interface

- JTAG
- SWD

## ■ I/O

- Up to 51 I/Os

- All I/Os can be mapped to external interrupt vector

- Up to 29 FT input I/Os

## ■ Communication peripherals

- 2 I2C interfaces (1Mbit/s), all of which support SMBus/PMBus
- 3 USART, support ISO7816, LIN and IrDA functions
- 2 SPI (18Mbps) interfaces
- 1 CAN
- 1 USB

## ■ Analog peripherals

- 2 12-bit ADCs

## ■ Timer

- 1 16-bit advanced timers TMR1 that can provide 7-channel PWM output, support dead time generation and braking input functions
- 3 16-bit general-purpose timers TMR2/3/4, each with up to 4 independent channels to support input capture, output comparison, PWM, pulse count and other functions
- 2 watchdog timers: one independent watchdog IWDT and one window watchdog WWDT
- 1 24-bit autodecrement SysTick Timer

## ■ RTC

- Support calendar and clock functions

## ■ 84Bytes backup register

## ■ CRC computing unit

## ■ 96-bit unique device ID

# Contents

<b>1. Product characteristics</b> .....	<b>1</b>
<b>2. Product information</b> .....	<b>5</b>
<b>3. Pin information</b> .....	<b>6</b>
3.1. Pin distribution .....	6
3.2. Pin function description .....	8
<b>4. Functional description</b> .....	<b>13</b>
4.1. System architecture .....	13
4.1.1. System block diagram .....	13
4.1.2. Address mapping.....	14
4.1.3. Startup configuration .....	15
4.2. Core .....	15
4.3. Interrupt controller.....	16
4.3.1. Nested Vector Interrupt Controller (NVIC).....	16
4.3.2. External Interrupt/Event Controller (EINT) .....	16
4.4. On-chip memory .....	16
4.5. Clock.....	16
4.5.1. Clock source.....	17
4.5.2. System clock .....	17
4.5.3. Bus clock .....	18
4.6. Power Supply and power management .....	18
4.6.1. Power supply scheme .....	18
4.6.2. Voltage regulator .....	18
4.6.3. Power supply voltage monitor .....	18
4.7. Low-power mode .....	18
4.8. DMA.....	19
4.9. GPIO .....	19
4.10. Communication peripherals.....	19
4.10.1.USART.....	19
4.10.2.I2C .....	19
4.10.3.SPI.....	19

4.10.4.CAN .....	20
4.10.5.USBD.....	20
4.11. Analog peripherals.....	20
4.11.1.ADC .....	20
4.12. Timer .....	20
4.13. RTC.....	21
4.13.1.Backup register.....	22
4.14. CRC .....	22
<b>5. Electrical characteristics .....</b>	<b>23</b>
5.1. Test conditions of electrical characteristics .....	23
5.1.1. Maximum and minimum values.....	23
5.1.2. Typical values .....	23
5.1.3. Typical curve.....	23
5.1.4. Power supply scheme .....	24
5.1.5. Load capacitance .....	24
5.2. Test under general operating conditions .....	25
5.3. Absolute maximum ratings .....	26
5.3.1. Maximum temperature characteristics .....	26
5.3.2. Maximum rated voltage characteristics .....	26
5.3.3. Maximum rated current features .....	26
5.3.4. Electrostatic discharge (ESD).....	27
5.3.5. Static latch-up (LU).....	27
5.4. On-chip memory .....	27
5.4.1. Flash characteristics.....	27
5.5. Clock .....	28
5.5.1. Characteristics of external clock source.....	28
5.5.2. Characteristics of internal clock source.....	29
5.5.3. PLL Characteristics.....	29
5.6. Reset and power management .....	30
5.6.1. Power-on/power-down characteristics .....	30
5.6.2. Test of embedded reset and power control block characteristics.....	30
5.7. Power consumption .....	31

5.7.1. Power consumption test environment .....	31
5.7.2. Power consumption in run mode .....	32
5.7.3. Power consumption in sleep mode .....	33
5.7.4. Power consumption in stop mode and standby mode .....	33
5.7.5. Backup domain power consumption .....	34
5.7.6. Peripheral power consumption .....	34
5.8. Wake-up time in low power mode .....	35
5.9. Pin characteristics.....	36
5.9.1. I/O pin characteristics .....	36
5.9.2. NRST pin characteristics .....	37
5.10. Communication peripherals.....	38
5.10.1.I2C peripheral characteristics .....	38
5.10.2.SPI peripheral characteristics.....	39
5.11. Analog peripherals.....	41
5.11.1.ADC .....	41
<b>6. Package information .....</b>	<b>43</b>
6.1. LQFP64 package diagram.....	43
6.2. LQFP48 Package Diagram.....	45
6.3. QFN36 package diagram .....	48
<b>7. Packaging information.....</b>	<b>50</b>
7.1. Reel packaging .....	50
7.2. Tray packaging .....	52
<b>8. Ordering information.....</b>	<b>54</b>
<b>9. Commonly used function module denomination .....</b>	<b>56</b>
<b>10. Version history .....</b>	<b>57</b>

## 2. Product information

See the following table for APM32F103x4x6x8 product functions and peripheral configuration.

Table 1 Functions and Peripherals of APM32F103x4x6x8 Series Chips

Product		APM32F103x4x6x8								
Model		T4U6	T6U6	T8U6	C4T6	C6T6	C8T6	R4T6	R6T6	R8T6
Package		QFN36			LQFP48			LQFP64		
Core and maximum working frequency		Arm® 32-bit Cortex®-M3@96MHz								
Operating voltage		2.0~3.6V								
Flash(KB)		16	32	64	16	32	64	16	32	64
SRAM(KB)		6	10	20	6	10	20	6	10	20
GPIOs		26			37			51		
Communication interface	USART	2					3	2		3
	SPI	1					2	1		2
	I2C	1					2	1		2
	USBD	1								
	CAN	1								
Timer	16-bit advanced	1								
	16-bit general	2	3	2	3	2	3	2	3	
	System tick timer	1								
	Watchdog	2								
Real-time clock		1								
12-bit ADC	Unit	2								
	Channel	10						16		
Operating temperature		Ambient temperature: -40°C to 85°C/-40°C to 105°C Junction temperature: -40°C to 105°C/-40°C to 125°C								

### 3. Pin information

#### 3.1. Pin distribution

Figure 1 Distribution Diagram of APM32F103x4x6x8 Series LQFP64 Pins

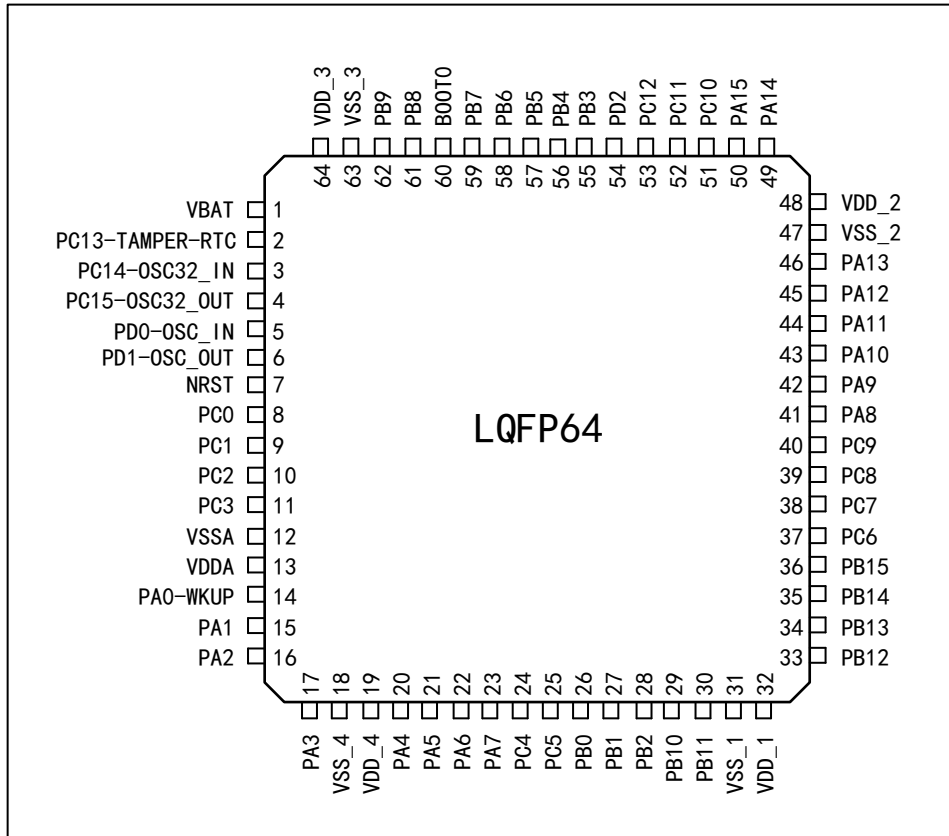


Figure 2 Distribution Diagram of APM32F103x4x6x8 Series LQFP48 Pins

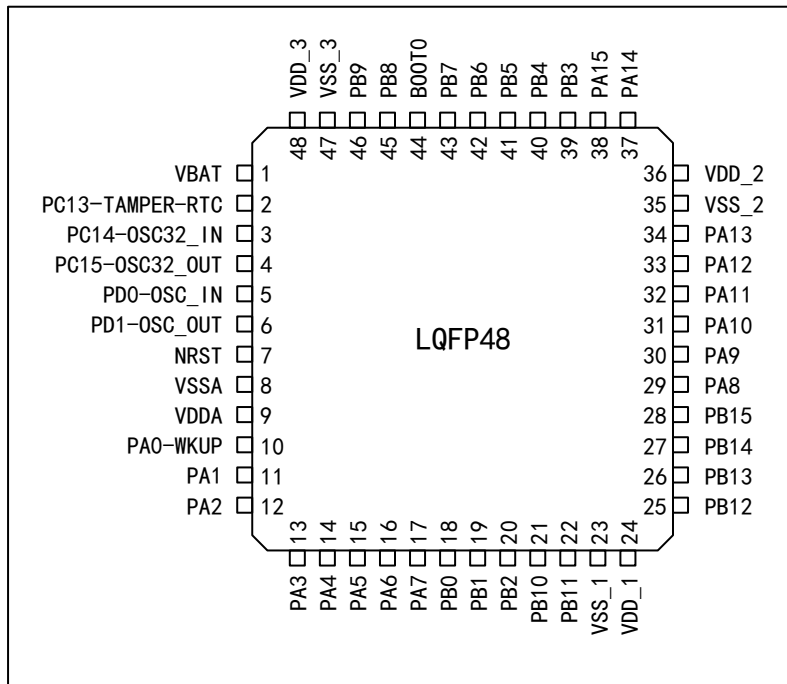
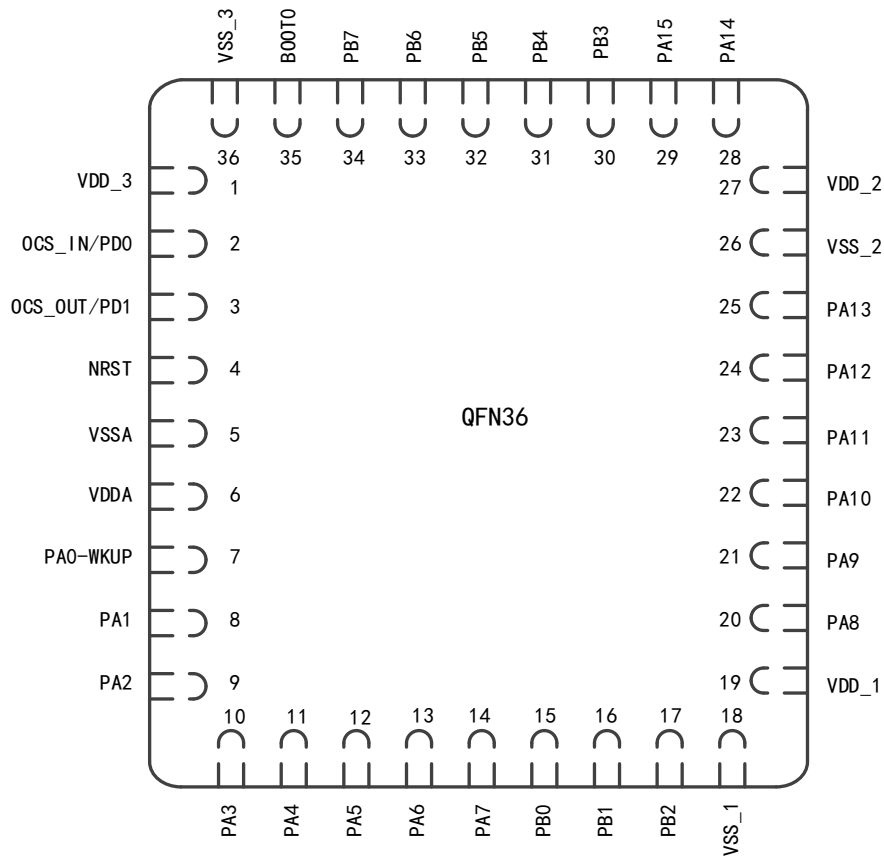


Figure 3 Distribution Diagram of APM32F103x4x6x8 Series QFN36 Pins





### 3.2. Pin function description

Table 2 Legends/Abbreviations Used in Output Pin Table

Name		Abbreviation	Definition
Pin name		Unless otherwise specified in parentheses below the pin name, the pin functions during and after reset are the same as the actual pin name	
Pin type		P	Power pin
		I	Only input pin
		I/O	I/O pin
I/O structure		5T	FT I/O
		5Tf	FT I/O, FM+ function
		STDA	I/O with 3.3 V tolerance, directly connected to ADC
		STD	I/O with 3.3 V tolerance
		B	Dedicated Boot0 pin
		RST	Bidirectional reset pin with built-in pull-up resistor
Note		Unless otherwise specified in the notes, all I/O is set as floating input during and after reset	
Pin function	Default multiplexing function	Function directly selected/enabled through peripheral register	
	Remap	Select this function through AFIO remapping register	

Table 3 Description of APM32F103x4x6x8 by Pin Number

Name (Function after reset)	Type	Structure	Default multiplexing function	Remap	QFN36	LQFP48	LQFP64
V <sub>BAT</sub>	P	-	-	-	-	1	1
PC13-TAMPER-RTC (PC13)	I/O	STD	TAMPER-RTC	-	-	2	2
PC14-OSC32_IN (PC14)	I/O	STD	OSC32_IN	-	-	3	3
PC15-OSC32_OUT (PC15)	I/O	STD	OSC32_OUT	-	-	4	4
OSC_IN	I	STD	-	PD0	2	5	5
OSC_OUT	O	STD	-	PD1	3	6	6
NRST	I/O	RST	-	-	4	7	7
PC0	I/O	STDA	ADC12_IN10	-	-	-	8

Name (Function after reset)	Type	Structure	Default multiplexing function	Remap	QFN36	LQFP48	LQFP64
PC1	I/O	STDA	ADC12_IN11	-	-	-	9
PC2	I/O	STDA	ADC12_IN12	-	-	-	10
PC3	I/O	STDA	ADC12_IN13	-	-	-	11
V <sub>SSA</sub>	P	-	-	-	5	8	12
V <sub>DDA</sub>	P	-	-	-	6	9	13
PA0-WKUP (PA0)	I/O	STDA	WKUP/ USART2_CTS/ ADC12_IN0/ TMR2_CH1_ETR	-	7	10	14
PA1	I/O	STDA	USART2_RTS/ ADC12_IN1/ TMR2_CH2	-	8	11	15
PA2	I/O	STDA	USART2_TX/ ADC12_IN2/ TMR2_CH3	-	9	12	16
PA3	I/O	STDA	USART2_RX/ ADC12_IN3/ TMR2_CH4	-	10	13	17
V <sub>SS_4</sub>	P	-	-	-	-	-	18
V <sub>DD_4</sub>	P	-	-	-	-	-	19
PA4	I/O	STDA	SPI1_NSS/ USART2_CK/ ADC12_IN4	-	11	14	20
PA5	I/O	STDA	SPI1_SCK/ ADC12_IN5	-	12	15	21
PA6	I/O	STDA	SPI1_MISO/ ADC12_IN6/ TMR3_CH1	TMR1_BKIN	13	16	22
PA7	I/O	STDA	SPI1_MOSI/ ADC12_IN7/ TMR3_CH2	TMR1_CH1N	14	17	23
PC4	I/O	STDA	ADC12_IN14	-	-	-	24
PC5	I/O	STDA	ADC12_IN15	-	-	-	25
PB0	I/O	STDA	ADC12_IN8/ TMR3_CH3	TMR1_CH2N	15	18	26
PB1	I/O	STDA	ADC12_IN9/ TMR3_CH4	TMR1_CH3N	16	19	27
PB2	I/O	5T	-	-	17	20	28

Name (Function after reset)	Type	Structure	Default multiplexing function	Remap	QFN36	LQFP48	LQFP64
(PB2,BOOT1)							
PB10	I/O	5T	I2C2_SCL/ USART3_TX	TMR2_CH3	-	21	29
PB11	I/O	5T	I2C2_SDA/ USART3_RX	TMR2_CH4	-	22	30
V <sub>SS_1</sub>	P	-	-	-	18	23	31
V <sub>DD_1</sub>	P	-	-	-	19	24	32
PB12	I/O	5T	SPI2_NSS/ I2C2_SMBAL/ USART3_CK/ TMR1_BKIN		-	25	33
PB13	I/O	5T	SPI2_SCK/ USART3_CTS/ TMR1_CH1N		-	26	34
PB14	I/O	5T	SPI2_MISO/ USART3_RTS/ TMR1_CH2N		-	27	35
PB15	I/O	5T	SPI2_MOSI/ TMR1_CH3N	-	-	28	36
PC6	I/O	5T	-	TMR3_CH1	-	-	37
PC7	I/O	5T	-	TMR3_CH2	-	-	38
PC8	I/O	5T	-	TMR3_CH3	-	-	39
PC9	I/O	5T	-	TMR3_CH4	-	-	40
PA8	I/O	5T	USART1_CK/ TMR1_CH1/ MCO	-	20	29	41
PA9	I/O	5T	USART1_TX, TMR1_CH2	-	21	30	42
PA10	I/O	5T	USART1_RX/ TMR1_CH3	-	22	31	43
PA11	I/O	5T	USART1_CTS/ USBDDM/ CAN_RX/ TMR1_CH4	-	23	32	44
PA12	I/O	5T	USART1_RTS/ USBDDP/ CAN_TX/ TMR1_ETR	-	24	33	45

Name (Function after reset)	Type	Structure	Default multiplexing function	Remap	QFN36	LQFP48	LQFP64
PA13 (JTMS,SWDIO)	I/O	5T	-	PA13	25	34	46
V <sub>SS_2</sub>	P	-	-	-	26	35	47
V <sub>DD_2</sub>	P	-	-	-	27	36	48
PA14 (JTCK,SWCLK)	I/O	5T	-	PA14	28	37	49
PA15 (JTDI)	I/O	5T	-	TMR2_CH1_ETR/ PA15/ SPI1_NSS	29	38	50
PC10	I/O	5T	-	USART3_TX	-	-	51
PC11	I/O	5T	-	USART3_RX	-	-	52
PC12	I/O	5T	-	USART3_CK	-	-	53
PD2	I/O	5T	TMR3_ETR	-	-	-	54
PB3 (JTDO)	I/O	5T	-	PB3/ TRACESWO/ TMR2_CH2/ SPI1_SCK	30	39	55
PB4 (NJTRST)	I/O	5T	-	PB4/ TMR3_CH1/ SPI1_MISO	31	40	56
PB5	I/O	STD	I2C1_SMBAI	TMR3_CH2/ SPI1_MOSI	32	41	57
PB6	I/O	5T	I2C1_SCL/ TMR4_CH1	USART1_TX	33	42	58
PB7	I/O	5T	I2C1_SDA/ TMR4_CH2	USART1_RX	34	43	59
BOOT0	I	B	-	-	35	44	60
PB8	I/O	5T	TMR4_CH3	I2C1_SCL/ CAN_RX	-	45	61
PB9	I/O	5T	TMR4_CH4	I2C1_SDA/ CAN_TX	-	46	62
V <sub>SS_3</sub>	P	-	-	-	36	47	63
V <sub>DD_3</sub>	P	-	-	-	1	48	64

**Note:**

(1) PC13, PC14 and PC15 are powered through the power switch. Since the switch only sinks limited current (3mA), the use of GPIO from PC13 to PC15 in output mode is limited:

- ① The speed shall not exceed 2MHz when the heavy load is 30pF;

② Not used for current source (e.g. driving LED).

(2) For Pin 5 and Pin 6 of LQFP64 and LQFP48 package, the default configuration after the chip is reset is OSC\_IN and OSC\_OUT, the software can reset these two pins with PD0 and PD1 functions; for LQFP100 package, PD0 and PD1 are inherent function pins.

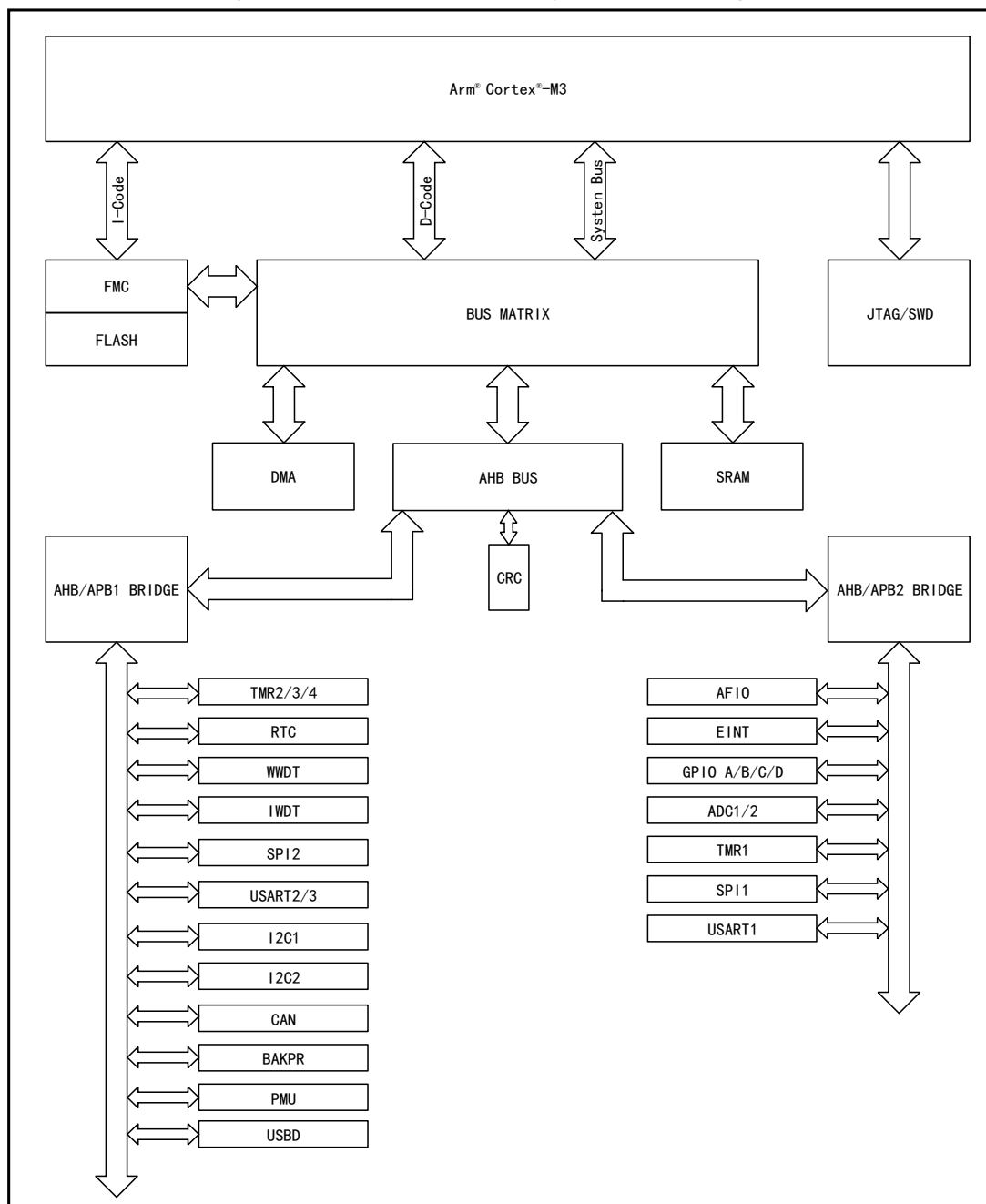
## 4. Functional description

This chapter mainly introduces the system architecture, interrupt, on-chip memory, clock, power supply and peripheral features of APM32F103x4x6x8 series products; for information about the Arm® Cortex®-M3 core, please refer to the Arm® Cortex®-M3 technical reference manual, which can be downloaded from Arm's website.

### 4.1. System architecture

#### 4.1.1. System block diagram

Figure 4APM32F103x4x6x8 System Block Diagram



## 4.1.2. Address mapping

Table 4 APM32F103x4x6x8 Performance Line Address Mapping Diagram

Region	Start Address	Peripheral Name
Code	0x0000 0000	Mapping area
Code	0x0800 0000	Flash
Code	0x0802 0000	Reserved
Code	0x1FFF F000	System Memory
Code	0x1FFF F800	Option Bytes
Code	0x1FFF F810	Reserved
SRAM	0x2000 0000	SRAM
APB1 bus	0x4000 0000	TMR2
APB1 bus	0x4000 0400	TMR3
APB1 bus	0x4000 0800	TMR4
APB1 bus	0x4000 0C00	Reserved
APB1 bus	0x4000 2800	RTC
APB1 bus	0x4000 2C00	WWDT
APB1 bus	0x4000 3000	IWDT
APB1 bus	0x4000 3400	Reserved
APB1 bus	0x4000 3800	SPI2
APB1 bus	0x4000 3C00	Reserved
APB1 bus	0x4000 4400	USART2
APB1 bus	0x4000 4800	USART3
APB1 bus	0x4000 4C00	Reserved
APB1 bus	0x4000 5400	I2C1
APB1 bus	0x4000 5800	I2C2
APB1 bus	0x4000 5C00	USB
APB1 bus	0x4000 6000	Reserved
APB1 bus	0x4000 6400	CAN
APB1 bus	0x4000 6800	Reserved
APB1 bus	0x4000 6C00	BAKPR
APB1 bus	0x4000 7000	PMU
—	0x4000 7400	Reserved
APB2 bus	0x4001 0000	AFIO
APB2 bus	0x4001 0400	EINT

Region	Start Address	Peripheral Name
APB2 bus	0x4001 0800	Port A
APB2 bus	0x4001 0C00	Port B
APB2 bus	0x4001 1000	Port C
APB2 bus	0x4001 1400	Port D
APB2 bus	0x4001 1800	Reserved
APB2 bus	0x4001 2400	ADC1
APB2 bus	0x4001 2800	ADC2
APB2 bus	0x4001 2C00	TMR1
APB2 bus	0x4001 3000	SPI1
APB2 bus	0x4001 3400	Reserved
APB2 bus	0x4001 3800	USART1
—	0x4001 3C00	Reserved
AHB bus	0x4002 0000	DMA
AHB bus	0x4002 0400	Reserved
AHB bus	0x4002 1000	RCM
AHB bus	0x4002 1400	Reserved
AHB bus	0x4002 2000	Flash Interface
AHB bus	0x4002 2400	Reserved
AHB bus	0x4002 3000	CRC
AHB bus	0x4002 3400	Reserved
—	0xA000 1000	Reserved
Core	0xE000 0000	M3 Core peripheral

### 4.1.3. Startup configuration

At startup, the user can select one of the following three startup modes by setting the high and low levels of the Boot pin:

- Startup from main memory
- Startup from BootLoader
- Startup from built-in SRAM

The user can use USART interface to reprogram the user Flash if boot from BootLoader.

## 4.2. Core

The core of APM32F103x4x6x8 is Arm® Cortex®-M3. Based on this platform, the development cost is low and the power consumption is low. It can provide excellent computing performance and advanced system interrupt response, and is compatible with all Arm tools and software.



### 4.3. Interrupt controller

#### 4.3.1. Nested Vector Interrupt Controller (NVIC)

It embeds a nested vectored interrupt controller (NVIC) that can handle up to 43 maskable interrupt channels (not including 16 interrupt lines of Cortex®-M3) and 16 priority levels. The interrupt vector entry address can be directly transmitted to the core, so that the interrupt response processing with low delay can give priority to the late higher priority interrupt.

#### 4.3.2. External Interrupt/Event Controller (EINT)

The external interrupt/event controller consists of 19 edge detectors, and each detector includes edge detection circuit and interrupt/event request generation circuit; each detector can be configured as rising edge trigger, falling edge trigger or both and can be masked independently. Up to 51 GPIOs can be connected to the 16 external interrupt lines.

### 4.4. On-chip memory

On-chip memory includes main memory area, SRAM and information block; the information block includes system memory area and option byte; the system memory area stores BootLoader, 96-bit unique device ID and capacity information of main memory area; the system memory area has been written into the program and cannot be erased.

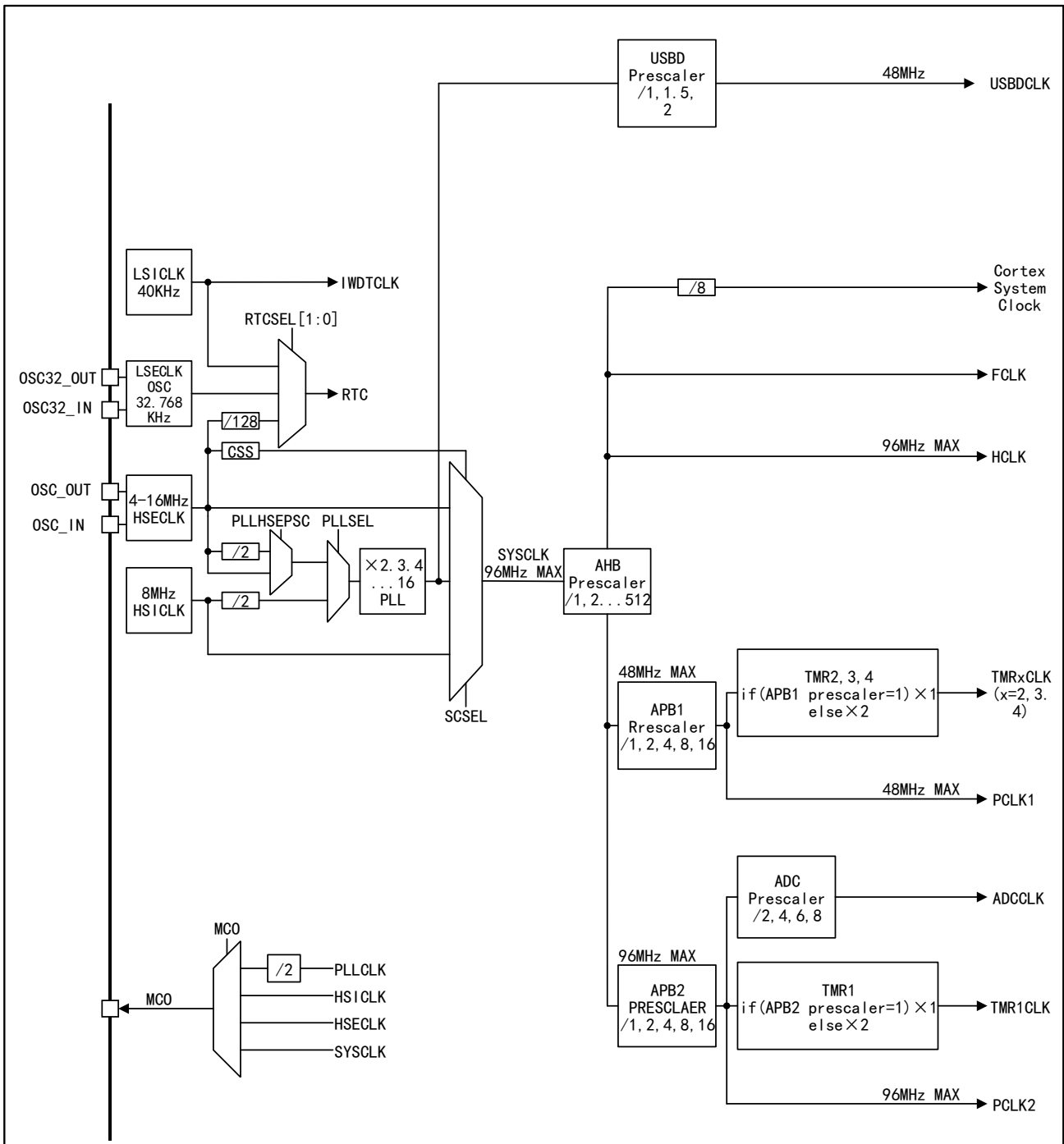
Table 5 On-chip Memory Area

Memory	Maximum capacity	Function
Main memory area	64 KB	Store user programs and data.
SRAM	20 KB	CPU can access at 0 waiting cycle (read/write).
System memory area	2KB	Store BootLoader, 96-bit unique device ID, and main memory area capacity information
Option byte	16Bytes	Configure main memory area read-write protection and MCU working mode

### 4.5. Clock

Clock tree of APM32F103x4x6x8 is shown in the figure below:

Figure 5 APM32F103x4x6x8 Clock Tree



#### 4.5.1. Clock source

Clock source is divided into high-speed clock and low-speed clock according to the speed; the high-speed clock includes HS1CLK and HSECLK, and the low-speed clock includes LSECLK and LS1CLK; clock source is divided into internal clock and external clock according to the chip inside/outside; the internal clock includes HS1CLK and LS1CLK, and the external clock includes HSECLK and LSECLK, among which HS1CLK is calibrated by the factory to  $\pm 1\%$  accuracy.

#### 4.5.2. System clock

HS1CLK, PLLCLK and HSECLK can be selected as system clock; the clock source of PLLCLK can be one of HS1CLK, and HSECLK; the required system clock can be obtained by configuring PLL clock multiplier factor and frequency dividing coefficient.

When the product is reset and started, HSICLK is selected as the system clock by default, and then the user can choose one of the above clock sources as the system clock by himself. When HSECLK failure is detected, the system will automatically switch to the HSICLK, and if an interrupt is enabled, the software can receive the related interrupt.

### 4.5.3. Bus clock

AHB, APB1 and APB2 are built in. The clock source of AHB is SYSCLK, and the clock source of APB1 and APB2 is HCLK; the required clock can be obtained by configuring the frequency dividing coefficient. The maximum frequency of AHB and high-speed APB2 is 96MHz, and the maximum frequency of APB1 is 48MHz.

## 4.6. Power Supply and power management

### 4.6.1. Power supply scheme

Table 5 Power Supply Scheme

Name	Voltage range	Instruction
V <sub>DD</sub>	2.0~3.6V	I/Os (see pin distribution diagram for specific IO) and internal voltage regulator are powered through V <sub>DD</sub> pin.
V <sub>DDA</sub> /V <sub>SSA</sub>	2.0~3.6V	Power supply of ADC, DAC, reset module, RC oscillator and PLL analog part; when ADC or DAC is used, V <sub>DDA</sub> shall not be less than 2.4V; V <sub>DDA</sub> and V <sub>SSA</sub> must be connected to V <sub>DD</sub> and V <sub>SS</sub> .
V <sub>BAT</sub>	1.8~3.6V	When V <sub>DD</sub> is closed, RTC, external 32KHz oscillator and backup register are supplied through internal power switch.

### 4.6.2. Voltage regulator

Table 6 Regulator Operating Mode

Name	Instruction
Master mode (MR)	Used in run mode
Low-power mode (LPR)	Used in stop mode
Power-down mode	Used in standby mode, when the voltage regulator has high impedance output, the core circuit is powered down, the power consumption of the voltage regulator is zero, and all data of registers and SRAM will be lost.

Note: The voltage regulator is always in working state after reset, and outputs with high impedance in power-down mode.

### 4.6.3. Power supply voltage monitor

Power-on reset (POR) and power-down reset (PDR) circuits are integrated inside the product. These two circuits are always in working condition. When the power-down reset circuit monitors that the power supply voltage is lower than the specified threshold value (V<sub>POR/PDR</sub>), even if the external reset circuit is used, the system will remain reset.

The product has a built-in programmable voltage regulator (PVD) that can monitor V<sub>DD</sub> and compare it with V<sub>PVD</sub> threshold. When V<sub>DD</sub> is outside the V<sub>PVD</sub> threshold range and the interrupt is enabled, the MCU can be set to a safe state through the interrupt service program.

## 4.7. Low-power mode

APM32F103x4x6x8 supports three low-power modes, namely, sleep mode, stop mode and standby mode, and there are differences in power, wake-up time and wake-up mode among these three modes. The low-power mode can be selected according to the actual application requirements.

Table 7 Low Power Consumption Mode

Mode	Instruction
Sleep mode	The core stops working, all peripherals are working, and it can be woken up through interrupts/events
Stop mode	Under the condition that SRAM and register data are not lost, the stop mode can achieve the lowest power consumption; The clock of the internal 1.5V power supply module will stop, HSECLK crystal resonator, HSICLK and PLL will be prohibited, and the voltage regulator can be configured in normal mode or low power mode; Any external interrupt line can wake up MCU, and the external interrupt lines include one of the 16 external interrupt lines, PVD output, RTC and USBID.
Standby mode	The power consumption in this mode is the lowest; Internal voltage regulator is turned off, all 1.5V power supply modules are powered off, HSECLK crystal resonator, HSICLK and PLL clocks are turned off, SRAM and register data disappear, RTC area and backup register contents remain, and standby circuit still works; The external reset signal on NRST, IWDG reset, rising edge on WKUP pin or RTC event will wake MCU out of standby mode.

## 4.8. DMA

1 built-in DMA; DMA supports 7 channels. Each channel supports multiple DMA requests, but only one DMA request is allowed to enter the DMA channel at the same time. The peripherals supporting DMA requests are ADC, SPI, USART, I2C, and TMRx. Four levels of DMA channel priority can be configured. Support "memory→memory, memory→peripheral, peripheral→memory" transfer of data (the memory includes Flash、SRAM)

## 4.9. GPIO

GPIO can be configured as general input, general output, multiplexing function and analog input、output. The general input can be configured as floating input, pull-up input and pull-down input; the general output can be configured as push-pull output and open-drain output; the multiplexing function can be used for digital peripherals; and the analog input and output can be used for analog peripherals and low-power mode; the enable and disable pull-up/pull-down resistor can be configured; the speed of 2MHz, 10MHz and 50MHz can be configured; the higher the speed is, the greater the power and the noise will be.

## 4.10. Communication peripherals

### 4.10.1. USART

Up to 3 USART in the chip. The USART1 interface can communicate at a rate of 4.5Mbit/s, while other USART interfaces can communicate at a rate of 2.25Mbit/s. All USART interfaces can configure baud rate, parity check bit, stop bit, and data bit length; all the other USART can support DMA.

### 4.10.2. I2C

I2C1/2 both can work in multiple master modes or slave modes, support 7-bit or 10-bit addressing, and support dual-slave addressing in 7-bit slave mode; the communication rate supports standard mode (up to 100kbit/s) and fast mode (up to 400kbit/s); hardware CRC generator/checker are built in; they can operate with DMA and support SMBus 2.0 version/PMBus.

### 4.10.3. SPI

Two built-in SPIs, support full duplex and half duplex communication in master mode and slave mode, can use DMA controller, and can configure 4~16 bits per frame, and communicate at a rate of up to 18Mbit/s.

#### 4.10.4. CAN

1 built-in CAN, compatible with 2.0A and 2.0B (active) specification, and can communicate at a rate of up to 1Mbit/s. It can receive and send standard frame of 11-bit identifier and extended frame of 29-bit identifier. It has 3 sending mailboxes and 2 receiving FIFO, 14 3-level adjustable filters.

#### 4.10.5. USB

The product embeds USB modules compatible with full-speed USB devices, which comply with the standard of full-speed USB devices (12Mb/s), and the endpoints can be configured by software, and have standby/wake-up functions. The dedicated 48MHz clock for USB is directly generated by internal PLL. When using the USB function, the system clock can only be one of 48MHz, 72MHz and 96MHz, which can obtain 48MHz required for USB through 1 fractional frequency, 1.5 fractional frequency and 2 fractional frequency respectively.

### 4.11. Analog peripherals

#### 4.11.1. ADC

2 built-in ADCs with 12-bit accuracy, up to 16 external channels and 1 internal channel for each ADC. The internal channel measures the reference voltage. A/D conversion mode of each channel has single, continuous, scan or intermittent modes, ADC conversion results can be left aligned or right aligned and stored in 16-bit data register; they support analog watchdog, and DMA.

##### 4.11.1.1. Internal reference voltage

Built-in reference voltage  $V_{REFINT}$ , internally connected to ADC\_IN17 channel, which can be obtained through ADC;  $V_{REFINT}$  provides stable voltage output for ADC.

#### 4.12. Timer

1 built-in 16-bit advanced timers (TMR1), 3 general-purpose timers (TMR2/3/4), 1 independent watchdog timer, 1 window watchdog timer and 1 system tick timer.

Watchdog timer can be used to detect whether the program is running normally.

The system tick timer is the peripheral of the core with automatic reloading function. When the counter is 0, it can generate a maskable system interrupt, which can be used for real-time operating system and general delay.

Table 8 Function Comparison between Advanced/General-purpose/Basic and System Tick Timers

Timer type	System tick timer	General-purpose timer			Advanced timer
Timer name	Sys Tick Timer	TMR2	TMR3	TMR4	TMR1
Counter resolution	24-bit	16-bit			16-bit
Counter type	Down	Up, down, up/down			Up, down, up/down
Prescaler coefficient	-	Any integer between 1 and 65536			Any integer between 1 and 65536
General DMA request	-	OK			OK
Capture/Comparison channel	-	4			4

Timer type	System tick timer	General-purpose timer	Advanced timer
Complementary outputs	-	No	Yes
Pin characteristics	-	There are 5 pins in total: 1-way external trigger signal input pins, 4-way channel (non-complementary channel) pins	There are 9 pins in total: 1-way external trigger signal input pins, 1-way braking input signal pins, 3-pair complementary channel pins, 1-way channel (non-complementary channel) pins
Function Instruction	Special for real-time operating system Automatic reloading function supported When the counter is 0, it can generate a maskable system interrupt Can program the clock source	Synchronization or event chaining function provided Timers in debug mode can be frozen. Can be used to generate PWM output Each timer has independent DMA request generation. It can handle incremental encoder signals	It has complementary PWM output with dead band insertion When configured as a 16-bit standard timer, it has the same function as the TMRx timer. When configured as a 16-bit PWM generator, it has full modulation capability (0~100%). In debug mode, the timer can be frozen, and PWM output is disabled. Synchronization or event chaining function provided.

Table 9 Independent Watchdog and Window Watchdog Timers

Name	Counter resolution	Counter type	Prescaler coefficient	Functional Description
Independent watchdog	12-bit	Down	Any integer between 1 and 256	The clock is provided by an internally independent RC oscillator of 40KHz, which is independent of the master clock, so it can run in stop and standby modes. The whole system can be reset in case of problems. It can provide timeout management for applications as a free-running timer. It can be configured as a software or hardware startup watchdog through option bytes. Timers in debug mode can be frozen.
Window watchdog	7-bit	Down	-	Can be set for free running. The whole system can be reset in case of problems. Driven by the master clock, it has early interrupt warning function; Timers in debug mode can be frozen.

### 4.13. RTC

1 RTC is built in, and there are LSECLK signal input pins (OSC32\_IN and OSC32\_OUT) and 1 TAMP input signal detection pin (TAMP); the clock source can select external 32.768kHz crystal oscillator, resonator or oscillator, LSICLK and HSECLK/128; it is supplied by  $V_{DD}$  by default; when  $V_{DD}$  is powered off, it can be automatically switched to  $V_{BAT}$  power supply, and RTC configuration and time data will not be lost; RTC configuration and time data are not lost in case

of system resetting, software resetting and power resetting; it supports clock and calendar functions.

#### **4.13.1. Backup register**

84Bytes backup register is built in, and is supplied by  $V_{DD}$  by default; when  $V_{DD}$  is powered off, it can be automatically switched to  $V_{BAT}$  power supply, and the data in backup register will not be lost; the data in backup register will not be lost in case of system resetting, software resetting and power resetting.

#### **4.14. CRC**

A CRC (cyclic redundancy check) calculation unit is built in, which can generate CRC codes and operate 8-bit, 16-bit and 32-bit data.

## 5. Electrical characteristics

### 5.1. Test conditions of electrical characteristics

#### 5.1.1. Maximum and minimum values

Unless otherwise specified, all products are tested on the production line at  $T_A=25^{\circ}\text{C}$ . Its maximum and minimum values can support the worst environmental temperature, power supply voltage and clock frequency.

In the notes at the bottom of each table, it is stated that the data are obtained through comprehensive evaluation, design simulation or process characteristics and are not tested on the production line; on the basis of comprehensive evaluation, after passing the sample test, take the average value and add and subtract three times the standard deviation (average  $\pm 3\Sigma$ ) to get the maximum and minimum values.

#### 5.1.2. Typical values

Unless otherwise specified, typical data are measured based on  $T_A=25^{\circ}\text{C}$ ,  $V_{DD}=V_{DDA}=3.3\text{V}$ . these data are only used for design guidance.

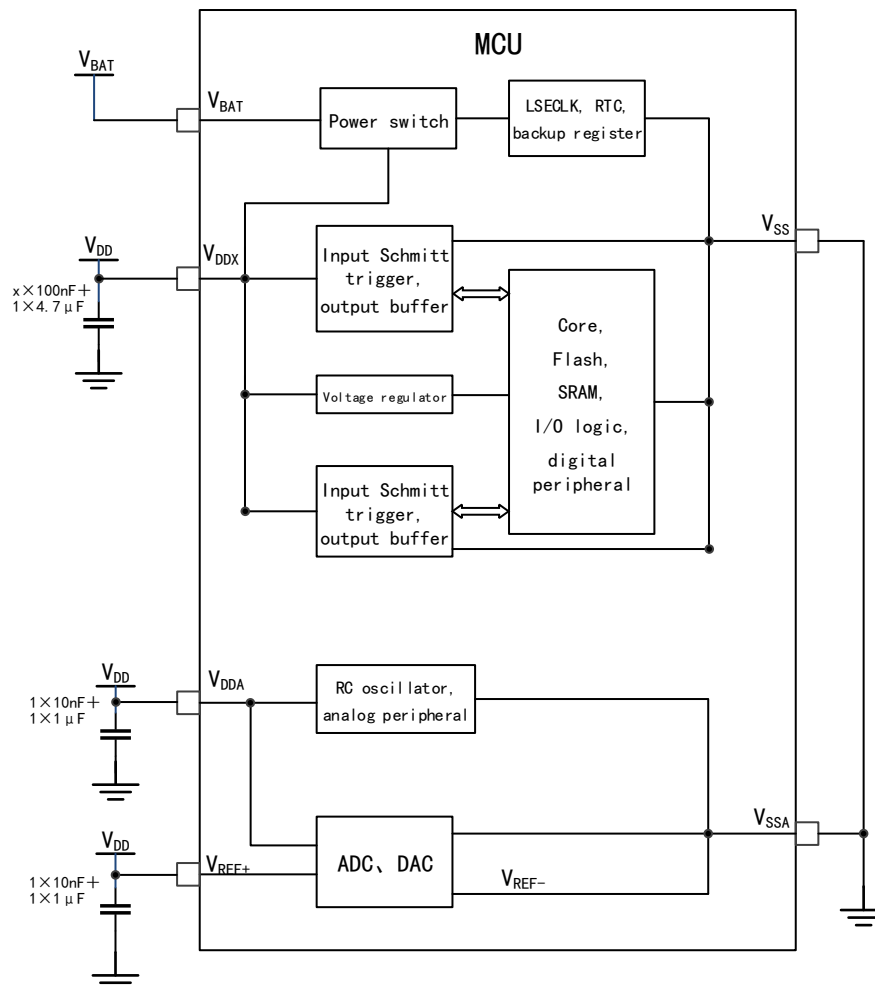
#### 5.1.3. Typical curve

Unless otherwise specified, typical curves will only be used for design guidance and will not be tested.



### 5.1.4. Power supply scheme

Figure 6 Power Supply Scheme



Notes:  $V_{DDx}$  in the figure means the number of  $V_{DD}$  is  $x$

### 5.1.5. Load capacitance

Figure 7 Load conditions when measuring pin parameters

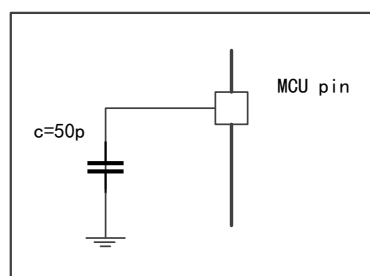


Figure 8 Pin Input Voltage Measurement Scheme

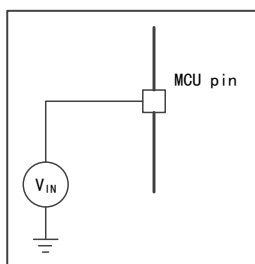
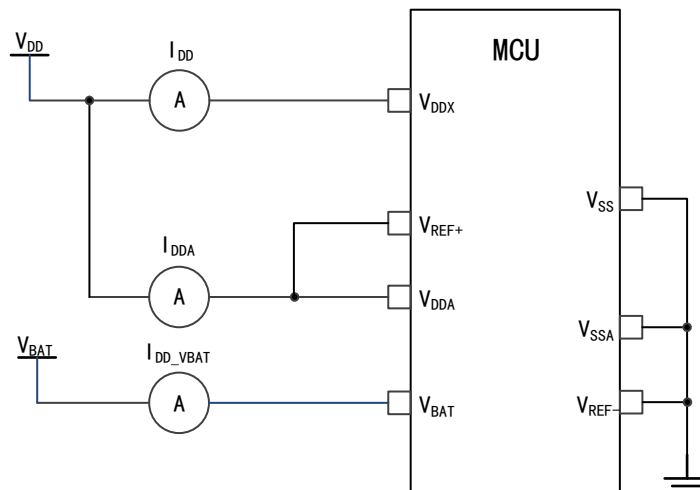


Figure 9 Power Consumption Measurement Scheme



## 5.2. Test under general operating conditions

Table 10 General Operating Conditions

Symbol	Parameter	Conditions	Minimum value	Maximum value	Unit
f <sub>HCLK</sub>	Internal AHB clock frequency	-	-	96	MHz
f <sub>PCLK1</sub>	Internal APB1 clock frequency	-	-	48	
f <sub>PCLK2</sub>	Internal APB2 clock frequency	-	-	96	
V <sub>DD</sub>	Main power supply voltage	-	2	3.6	V
V <sub>DDA</sub>	Analog power supply voltage (When neither ADC nor DAC is used)	Must be the same as V <sub>DD</sub>	V <sub>DD</sub>	3.6	V
	Analog power supply voltage (When ADC and DAC are used)		2.4	3.6	
V <sub>BAT</sub>	Power supply voltage of backup domain	-	1.8	3.6	V
T <sub>A</sub>	Ambient temperature (temperature number 6)	Maximum power dissipation	-40	85	°C
	Ambient temperature (temperature number 7)	Maximum power dissipation	-40	105	°C

Note: During power-up and normal operation, it is recommended to use the same power supply for V<sub>DD</sub> and V<sub>DDA</sub>, with a maximum voltage difference of 300 mV between V<sub>DD</sub> and V<sub>DDA</sub>.

### 5.3. Absolute maximum ratings

If the load on the device exceeds the absolute maximum rating, it may cause permanent damage to the device. Here, only the maximum load that can be borne is given, and there is no guarantee that the device functions normally under this condition.

#### 5.3.1. Maximum temperature characteristics

Table 11 Temperature Characteristics

Symbol	Description	Numerical Value	Unit
$T_{STG}$	Storage temperature range	-55 ~ +150	°C
$T_J$	Maximum junction temperature	150	°C

#### 5.3.2. Maximum rated voltage characteristics

All power supply ( $V_{DD}$ ,  $V_{DDA}$ ) and ground ( $V_{SS}$ ,  $V_{SSA}$ ) pins must always be connected to the power supply within the external limited range.

Table 12 Maximum Rated Voltage Characteristics

Symbol	Description	Minimum value	Maximum value	Unit
$V_{DD} - V_{SS}$	External main power supply voltage	-0.3	4.0	V
$V_{DDA} - V_{SSA}$	External analog power supply voltage	-0.3	4.0	
$V_{BAT} - V_{SS}$	Power supply voltage of external backup domain	-0.3	4.0	
$ V_{DD} - V_{DDA} $	Voltage difference allowed by $V_{DD} > V_{DDA}$	-	0.3	
$V_{IN}$	Input voltage on FT pins	$V_{SS} - 0.3$	5.5	
	Input voltage on other pins	$V_{SS} - 0.3$	$V_{DD} + 0.3$	
$ \Delta V_{DDx} $	Voltage difference between different power supply pins	-	50	mV
$ V_{SSx} - V_{SS} $	Voltage difference between different grounding pins	-	50	

#### 5.3.3. Maximum rated current features

Table 13 Current Characteristics

Symbol	Description	Maximum	Unit
$I_{VDD}$	Total current into $V_{DD}/V_{DDA}$ power lines (source) <sup>(1)</sup>	150	mA
$I_{VSS}$	Total current out of $V_{SS}$ ground lines (sink) <sup>(1)</sup>	150	
$I_{IO}$	Irrigation current on any I/O and control pins	25	
	Source current on any I/O and control pins	-25	
$I_{INJ(PIN)}^{(2)(3)}$	Injection current of 5T pin	±5	
	Injection current of other pins <sup>(4)</sup>	±5	
$\Sigma I_{INJ(PIN)}^{(2)}$	Total injection current on all I/O and control pins <sup>(5)</sup>	±25	

Note:

- (1) All power ( $V_{DD}$ ,  $V_{DDA}$ ) and ground ( $V_{SS}$ ,  $V_{SSA}$ ) pins must always be connected to a power supply within the external allowable range.
- (2) Negative injection disturbs the analog performance of the device.
- (3) Positive injection is not possible on these I/Os. a negative injection is induced by  $V_{IN} < V_{SS}$ .  $I_{INJ(PIN)}$  must never be exceeded.
- (4) A positive injection is induced by  $V_{IN} > V_{DD}$  while a negative injection is induced by  $V_{IN} < V_{SS}$ .  $I_{INJ(PIN)}$  must never be exceeded.
- (5) When several inputs are submitted to a current injection, the maximum  $\Sigma I_{INJ(PIN)}$  is the absolute sum of the positive and negative injected currents (instantaneous values).

### 5.3.4. Electrostatic discharge (ESD)

Table 14 ESD Absolute Maximum Ratings

Symbol	Parameter	Conditions	Maximum value	Unit
$V_{ESD(HBM)}$	Electrostatic discharge voltage (human body model)	$T_A = +25\text{ }^\circ\text{C}$ , conforming to JS-001-2017	6500	V
$V_{ESD(CDM)}$	Electrostatic discharge voltage (charging device model)	$T_A = +25\text{ }^\circ\text{C}$ , conforming to JS-002-2018	1200	

Note: The samples are measured by a third-party testing organization and are not tested in production.

### 5.3.5. Static latch-up (LU)

Table 15 Static Latch-up

Symbol	Parameter	Conditions	Type
LU	Class of static latch-up	$T_A = +25\text{ }^\circ\text{C}/105^\circ\text{C}$ , conforming to EIA/JESD78E	CLASS II A

Note: The samples are measured by a third-party testing organization and are not tested in production.

## 5.4. On-chip memory

### 5.4.1. Flash characteristics

Table 16 Flash Memory Characteristics

Symbol	Parameter	Conditions	Minimum value	Typical values	Maximum value	Unit
$t_{prog}$	16-bit programming time	$T_A = -40\sim 105^\circ\text{C}$ $V_{DD}=2.4\sim 3.6\text{V}$	15	20.46	40	$\mu\text{s}$
$t_{ERASE}$	Page (2KBytes) erase time	$T_A = -40\sim 105^\circ\text{C}$ $V_{DD}=2.4\sim 3.6\text{V}$	1	-	10	ms
$t_{ME}$	Whole erase time	$T_A = 25^\circ\text{C}$ $V_{DD}=3.3\text{V}$	5	-	20	ms
$V_{prog}$	Programming voltage	$T_A = -40\sim 105^\circ\text{C}$	2	-	3.6	V
$t_{RET}$	Data saving time	$T_A=125^\circ\text{C}$	18	-	-	years

Symbol	Parameter	Conditions	Minimum value	Typical values	Maximum value	Unit
N <sub>RW</sub>	Erase cycle	T <sub>A</sub> =25°C	100K	-	-	cycles

Note: It is obtained from a comprehensive evaluation and is not tested in production.

## 5.5. Clock

### 5.5.1. Characteristics of external clock source

#### 5.5.1.1.1. High-speed external clock generated by crystal resonator

For detailed parameters (frequency, package, precision, etc.) of crystal resonator, please consult the corresponding manufacturer.

Table 17 HSECLK4~16MHz Oscillator Characteristics

Symbol	Parameter	Conditions	Minimum value	Typical values	Maximum value	Unit
f <sub>OSC_IN</sub>	Oscillator frequency	-	4	8	16	MHz
R <sub>F</sub>	Feedback resistance	-	-	310	-	kΩ
I <sub>DD(HSECLK)</sub>	HSECLK current consumption	V <sub>DD</sub> =3.3V, CL=10pF@8MHz	-	374	-	mA
I <sub>2</sub>	Drive current	-	-	-	1.25	mA
t <sub>SU(HSECLK)</sub>	Startup time	V <sub>DD</sub> is stable	-	1	-	ms
Duty <sub>(HSECLK)</sub>	HSECLK duty cycle	-	45	-	60	%

Note: It is obtained from a comprehensive evaluation and is not tested in production.

#### 5.5.1.1.2. Low-speed external clock generated by crystal resonator

For detailed parameters (frequency, package, precision, etc.) of crystal resonator, please consult the corresponding manufacturer.

Table 18 LSECLK Oscillator Characteristics (f<sub>LSECLK</sub>=32.768KHz)

Symbol	Parameter	Conditions	Minimum value	Typical values	Maximum value	Unit
f <sub>OSF_IN</sub>	Oscillator frequency	-	-	32.768	-	KHz
I <sub>DD(LSECLK)</sub>	LSECLK current consumption	-	-	0.74	-	μA
I <sub>2</sub>	Drive current	-	-	-	0.37	μA
t <sub>SU(LSECLK)</sub> <sup>(1)</sup>	Startup time	V <sub>DDIOx</sub> is stable	-	2	-	s

Note: It is obtained from a comprehensive evaluation and is not tested in production.

(1) t<sub>SU(LSECLK)</sub> is the startup time, which is measured from the time when LSECLK is enabled by software to the time when stable oscillation at 32.768KHz is obtained. This value is measured using a standard crystal resonator, which may vary greatly due to different crystal manufacturers.

## 5.5.2. Characteristics of internal clock source

### 5.5.2.1.1. High speed internal (HSICLK) RC oscillator

Table 19 HSICLK Oscillator Characteristics

Symbol	Parameter	Conditions	Min	Type	Max	Unit
f <sub>HSICLK</sub>	Frequency	-	-	8	-	MHz
A <sub>CCHSICLK</sub>	Accuracy of HSICLK oscillator	Factory calibration				
		V <sub>DD</sub> =3.3V, T <sub>A</sub> =25°C <sup>(1)</sup>	-1	-	1	%
		V <sub>DD</sub> =2-3.6V, T <sub>A</sub> =-40~105°C	-1.5	-	2	%
I <sub>DDA(HSICLK)</sub>	Power consumption of HSICLK oscillator	-	-	-	140	μA
t <sub>SU(HSICLK)</sub>	Startup time of HSICLK oscillator	V <sub>DD</sub> =3.3V, T <sub>A</sub> =-40~105°C	1	-	2.4	μs

Note: It is obtained from a comprehensive evaluation and is not tested in production.

### 5.5.2.1.2. Low speed internal (LSICLK) RC oscillator

Table 20 LSICLK Oscillator Characteristics

Symbol	Parameter	Min	Type	Max	Unit
f <sub>LSICLK</sub>	Frequency (V <sub>DD</sub> =2-3.6V, T <sub>A</sub> =-40~105°C)	30	42	60	KHz
I <sub>DD(LSICLK)</sub>	Power consumption of LSICLK oscillator	-	0.66	-	μA
t <sub>SU(LSICLK)</sub>	LSICLK oscillator startup time, (V <sub>DD</sub> =3.3V, T <sub>A</sub> =-40~105°C)	-	-	80	μs

Note: It is obtained from a comprehensive evaluation and is not tested in production.

## 5.5.3. PLL Characteristics

Table 21 PLL Characteristics

Symbol	Parameter	Numerical Value			Unit
		Minimum value	Typical values	Maximum value	
f <sub>PLL_IN</sub>	PLL input clock	1	8.0	25	MHz
	PLL input clock duty cycle	40	-	60	%
f <sub>PLL_OUT</sub>	PLL frequency doubling output clock, (V <sub>DD</sub> =3.3V, T <sub>A</sub> =-40~105°C)	16	-	96	MHz
t <sub>LOCK</sub>	PLL phase locking time	-	-	200	μs

Note: It is obtained from a comprehensive evaluation and is not tested in production.

## 5.6. Reset and power management

### 5.6.1. Power-on/power-down characteristics

Table 22 Power-on/power-down Characteristics

Symbol	Parameter	Condition	Minimum value	Typical value	Maximum value	Unit
t <sub>VDD</sub>	V <sub>DD</sub> rise time rate	-	1	-	200000	μs/V
	V <sub>DD</sub> fall time rate		1	-	200000	

### 5.6.2. Test of embedded reset and power control block characteristics

Table 23 Embedded Reset and Power Control Block Characteristics

Symbol	Parameter	Conditions	Minimum value	Typical values	Maximum value	Unit
V <sub>POR/PDR</sub>	Power-on/power-down reset threshold	Falling edge	1.86	1.87	1.95	V
		Rising edge	1.92	1.93	2.01	V
V <sub>PDRhyst</sub>	PDR hysteresis	-	50.00	60.00	70.00	mV
T <sub>RSTTEMPO</sub>	Reset duration	-	0.90	-	2.4	ms

Note: It is obtained from a comprehensive evaluation and is not tested in production.

Table 24 Programmable Power Supply Voltage Detector Characteristics

Symbol	Parameter	Conditions	Minimum value	Typical values	Maximum value	Unit
V <sub>PVD</sub>	Programmable power supply voltage detector voltage level selection	PLS[2:0]=000 (rising edge)	2.18	2.20	2.25	V
		PLS[2:0]=000 (falling edge)	2.07	2.10	2.15	V
		PLS[2:0]=000(PVD hysteresis)	90	101.33	110	mV
		PLS[2:0]=001 (rising edge)	2.28	2.31	2.36	V
		PLS[2:0]=001 (falling edge)	2.17	2.20	2.24	V
		PLS[2:0]=001(PVD hysteresis)	100	111	120	mV
		PLS[2:0]=010 (rising edge)	2.38	2.41	2.46	V
		PLS[2:0]=010 (falling edge)	2.27	2.30	2.35	V
		PLS[2:0]=010(PVD hysteresis)	90	107	110	mV
		PLS[2:0]=011 (rising edge)	2.47	2.50	2.56	V
		PLS[2:0]=011 (falling edge)	2.37	2.40	2.45	V
		PLS[2:0]=011(PVD hysteresis)	80	102	110	mV
		PLS[2:0]=100 (rising edge)	2.57	2.61	2.66	V
		PLS[2:0]=100 (falling edge)	2.46	2.50	2.55	V

Symbol	Parameter	Conditions	Minimum value	Typical values	Maximum value	Unit
		PLS[2:0]=100(PVD hysteresis)	100	111	120	mV
		PLS[2:0]=101 (rising edge)	2.67	2.70	2.76	V
		PLS[2:0]=101 (falling edge)	2.56	2.60	2.66	V
		PLS[2:0]=101(PVD hysteresis)	90	103.33	110	mV
		PLS[2:0]=110 (rising edge)	2.77	2.81	2.87	V
		PLS[2:0]=110 (falling edge)	2.66	2.70	2.75	V
		PLS[2:0]=110(PVD hysteresis)	90	110.33	120	mV
		PLS[2:0]=111 (rising edge)	2.86	2.90	2.96	V
		PLS[2:0]=111 (falling edge)	2.76	2.80	2.86	V
		PLS[2:0]=111(PVD hysteresis)	80	100.67	110	mV

Note: It is obtained from a comprehensive evaluation and is not tested in production.

## 5.7. Power consumption

### 5.7.1. Power consumption test environment

- (1) The values are measured by executing Dhrystone 2.1, with the Keil.V5 compilation environment and the L0 compilation optimization level.
- (2) All I/O pins are in input mode with a static value at  $V_{DD}$  or  $V_{SS}$  (no load)
- (3) Unless otherwise specified, all peripherals are turned off
- (4) The relationship between Flash waiting cycle setting and  $f_{HCLK}$  :
  - 0~24MHz: 0 waiting cycle
  - 24~48MHz: 1 waiting cycle
  - 48~72MHz: 2 waiting cycles
  - 72~96MHz: 3 waiting cycles
- (5) The instruction prefetch function is enabled (Note: it must be set before clock setting and bus frequency division)
- (6) When the peripherals are enabled:  $f_{PCLK1}=f_{HCLK}/2$ ,  $f_{PCLK2}=f_{HCLK}$



## 5.7.2. Power consumption in run mode

Table 25 Power Consumption in Run Mode when the Program is Executed in Flash/RAM

Parameter	Conditions	f <sub>HCLK</sub>	Typical value <sup>(1)</sup>		Maximum value <sup>(1)</sup>	
			T <sub>A</sub> =25°C, V <sub>DD</sub> =3.3V		T <sub>A</sub> =105°C, V <sub>DD</sub> =3.6V	
			I <sub>DDA</sub> (μA)	I <sub>DD</sub> (mA)	I <sub>DDA</sub> (μA)	I <sub>DD</sub> (mA)
Power consumption in run mode	HSECLK bypass <sup>(2)</sup> , enabling all peripherals	96MHz	210.66	26.32	404.62	27.85
		72MHz	138.52	18.82	255.93	25.41
		48MHz	104.29	15.39	182.25	16.48
		36MHz	79.96	11.66	141.37	12.66
		24MHz	58.67	8.53	73.92	9.21
		16MHz	45.84	5.85	64.70	6.37
		8MHz	2.67	2.98	6.69	3.43
	HSECLK bypass <sup>(2)</sup> , turning off all peripherals	96MHz	210.72	16.12	252.02	17.07
		72MHz	138.52	12.22	162.05	12.91
		48MHz	104.28	10.45	123.05	11.09
		36MHz	79.98	7.93	95.59	8.39
		24MHz	58.68	5.97	72.44	6.42
		16MHz	45.83	4.10	58.69	4.56
		8MHz	2.68	2.16	4.63	2.54
	HSICLK <sup>(2)</sup> , enabling all peripherals	72MHz	138.11	17.27	159.29	18.53
		48MHz	104.02	13.09	122.51	14.06
		32MHz	79.79	9.91	93.89	10.47
		24MHz	58.52	6.78	71.35	7.33
		16MHz	45.69	4.64	57.85	5.06
		8MHz	2.66	2.39	4.42	2.65
	HSICLK <sup>(2)</sup> , turning off all peripherals	72MHz	137.74	10.58	160.61	11.30
		48MHz	103.78	8.03	123.80	8.62
		32MHz	79.45	6.14	95.21	6.60
		24MHz	58.37	4.24	72.59	4.69
16MHz		45.52	2.96	57.88	3.43	
8MHz		2.68	1.60	5.21	1.98	

Note: (1) It is obtained from a comprehensive evaluation and is not tested in production.

(2) The external clock is 8MHz, and when f<sub>HCLK</sub>>8MHz, turn on PLL, otherwise, turn off PLL.

### 5.7.3. Power consumption in sleep mode

Table 26 Power Consumption in Sleep Mode when the Program is Executed in Flash/RAM

Parameter	Conditions	f <sub>HCLK</sub>	Typical value <sup>(1)</sup>		Maximum value <sup>(1)</sup>	
			T <sub>A</sub> =25°C, V <sub>DD</sub> =3.3V		T <sub>A</sub> =105°C, V <sub>DD</sub> =3.6V	
			I <sub>DDA</sub> (μA)	I <sub>DD</sub> (mA)	I <sub>DDA</sub> (μA)	I <sub>DD</sub> (mA)
Power consumption in sleep mode	HSECLK bypass <sup>(2)</sup> , enabling all peripherals	96 MHz	210.76	16.26	226.10	19.81
		72MHz	128.55	11.00	148.48	15.62
		48MHz	104.31	8.36	112.13	8.53
		36MHz	79.98	6.41	86.66	6.52
		24MHz	58.70	4.40	64.53	4.54
		16MHz	45.83	3.06	51.26	3.21
		8MHz	2.68	1.62	3.84	1.76
	HSECLK bypass <sup>(2)</sup> , turning off all peripherals	96 MHz	210.76	5.40	216.10	5.53
		72MHz	138.52	3.74	142.60	3.86
		48MHz	104.29	2.91	109.68	3.04
		36MHz	79.97	2.28	86.00	2.40
		24MHz	58.69	1.67	64.73	1.80
		16MHz	45.83	1.25	51.39	1.38
		8MHz	2.68	0.74	3.84	0.87

Note:

(1) It is obtained from a comprehensive evaluation and is not tested in production.

(2) The external clock is 8MHz, and when f<sub>HCLK</sub>>8MHz, turn on PLL, otherwise, turn off PLL

### 5.7.4. Power consumption in stop mode and standby mode

Table 27 Power Consumption in Stop Mode and Standby Mode

Parameter	Conditions	Typical value <sup>(1)</sup> , (T <sub>A</sub> =25°C)						Maximum value <sup>(1)</sup> , (V <sub>DD</sub> =3.6V)		Unit
		V <sub>DD</sub> =2.4V		V <sub>DD</sub> =3.3V		V <sub>DD</sub> =3.6V		T <sub>A</sub> =105°C		
		I <sub>DDA</sub>	I <sub>DD</sub>	I <sub>DDA</sub>	I <sub>DD</sub>	I <sub>DDA</sub>	I <sub>DD</sub>	I <sub>DDA</sub>	I <sub>DD</sub>	
Power consumption in stop mode	Regulator in run mode, low-speed and high-speed internal RC oscillators and high-speed oscillator OFF(no independent watchdog)	2.15	22.164	2.672	22.369	2.86	23.198	5.486	178.636	μA
	Regulator in low-power mode, low-speed and high-speed internal RC oscillators and high-	2.149	9.688	2.672	9.884	2.867	10.006	4.524	155.871	

Parameter	Conditions	Typical value <sup>(1)</sup> , (T <sub>A</sub> =25°C)						Maximum value <sup>(1)</sup> , (V <sub>DD</sub> =3.6V)		Unit
		V <sub>DD</sub> =2.4V		V <sub>DD</sub> =3.3V		V <sub>DD</sub> =3.6V		T <sub>A</sub> =105°C		
		I <sub>DDA</sub>	I <sub>DD</sub>	I <sub>DDA</sub>	I <sub>DD</sub>	I <sub>DDA</sub>	I <sub>DD</sub>	I <sub>DDA</sub>	I <sub>DD</sub>	
	speed oscillator OFF(no independent watchdog)									
Power consumption in standby mode	Low-speed internal RC oscillator and independent watchdog ON	2.344	0.504	3.008	0.93	3.278	1.08	4.363	10.119	
	Low-speed internal RC oscillator on, independent watchdog OFF	2.342	0.383	3.009	0.757	3.277	0.911	4.31	9.854	
	Low-speed internal RC oscillator and independent watchdog OFF, low-speed oscillator and RTC OFF	1.996	0.163	2.519	0.355	2.716	0.475	3.94	9.511	

Note: (1) It is obtained from a comprehensive evaluation and is not tested in production.

### 5.7.5. Backup domain power consumption

Table 28 Backup Domain Power Consumption

Symbol	Conditions	Typical value <sup>(1)</sup> , T <sub>A</sub> =25°C			Maximum value <sup>(1)</sup> , V <sub>BAT</sub> =3.6V			Unit
		V <sub>BAT</sub> =2.0V	V <sub>BAT</sub> =2.4V	V <sub>BAT</sub> =3.3V	T <sub>A</sub> =25°C	T <sub>A</sub> =85°C	T <sub>A</sub> =105°C	
I <sub>DD_VBAT</sub>	The low-speed oscillator and RTC are in ON state	1.106	1.268	1.704	1.956	2.568	3.256	μA

Note: (1) It is obtained from a comprehensive evaluation and is not tested in production.

### 5.7.6. Peripheral power consumption

The HSECLK Bypass 1M is adopted as clock source, f<sub>PCLK</sub>=f<sub>HCLK</sub>=1M.

Peripheral power consumption = current that enables the peripheral clock-current that disables the peripheral clock.

Table 29 Peripheral Power Consumption

Parameter	Peripheral	Typical value <sup>(1)</sup> T <sub>A</sub> =25°C, V <sub>DD</sub> =3.3V	Unit
AHB	DMA	0.53	mA
APB1	TMR2	0.67	
	TMR3	0.69	
	TMR4	0.62	
	WWDT	0.08	
	SPI2	0.07	

Parameter	Peripheral	Typical value <sup>(1)</sup> T <sub>A</sub> =25°C, V <sub>DD</sub> =3.3V	Unit
	USART2	0.27	
	USART3	0.27	
	I2C1	0.22	
	I2C2	0.22	
	USBD	0.48	
	CAN	0.37	
	BAKPR	0.06	
	PMU	0.06	
APB2	GPIOA	0.25	
	GPIOB	0.24	
	GPIOC	0.24	
	GIOD	0.21	
	ADC1	0.63	
	ADC2	0.57	
	TMR1	0.96	
	SPI1	0.33	
	USART1	0.46	

Note: It is obtained from a comprehensive evaluation and is not tested in production.

## 5.8. Wake-up time in low power mode

The measurement of wake-up time in low power mode is from the start of wake-up event to the time when the user program reads the first instruction, in which V<sub>DD</sub>=V<sub>DDA</sub>.

Table 30 Wake Up Time in Low-power Mode

Symbol	Parameter	Conditions	Typical value (T <sub>A</sub> =25°C)	Maximum value			Unit	Symbol
				2V	3.3V	3.6V		
t <sub>WUSLEEP</sub>	Wake-up from sleep mode	-	1.72	2.05	1.84	1.81	2.16	μs
t <sub>WUSTOP</sub>	Wake up from stop mode	The voltage regulator is in run mode	3.46	3.92	3.57	3.52	4.00	
		The voltage regulator is in low power mode	4.60	6.50	4.92	4.74	7.00	
t <sub>WUSTDBY</sub>	Wake up from standby mode	-	20.00	33.21	26.43	25.07	40.40	

Note: It is obtained from a comprehensive evaluation and is not tested in production.

## 5.9. Pin characteristics

### 5.9.1. I/O pin characteristics

Table 31 DC Characteristics (test condition of  $V_{DD}=2.7\sim 3.6V$ ,  $T_A=-40\sim 105^{\circ}C$ )

Symbol	Parameter	Conditions	Minimum value	Typical values	Maximum value	Unit
$V_{IL}$	Low level input voltage	CMOS port	-0.5	-	$0.35V_{DD}$	V
$V_{IH}$	High level input voltage		$0.65V_{DD}$	-	$V_{DD}+0.5$	
$V_{IL}$	Low level input voltage	TTL port	-0.5	-	0.8	
$V_{IH}$	High level input voltage		2	-	$V_{DD}+0.5$	
$V_{hys}$	Standard I/O Schmitt trigger voltage hysteresis	-	2	-	5.5	mV
	I/O FT Schmitt trigger voltage hysteresis		200	-	-	mV
$I_{lkg}$	Input leakage current	$V_{SS} \leq V_{IN} \leq V_{DD}$ Standard I/O port	$5\%V_{DD}$	-	-	$\mu A$
		$V_{IN}=5V$ , I/O FT port	-	-	$\pm 1$	
$R_{PU}$	Weak pull-up equivalent resistance	$V_{IN}=V_{SS}$	-	-	3	k $\Omega$
$R_{PD}$	Weak pull-down equivalent resistance	$V_{IN}=V_{DD}$	30	40	50	k $\Omega$

Note: It is obtained from a comprehensive evaluation and is not tested in production.

Table 32 AC Characteristics

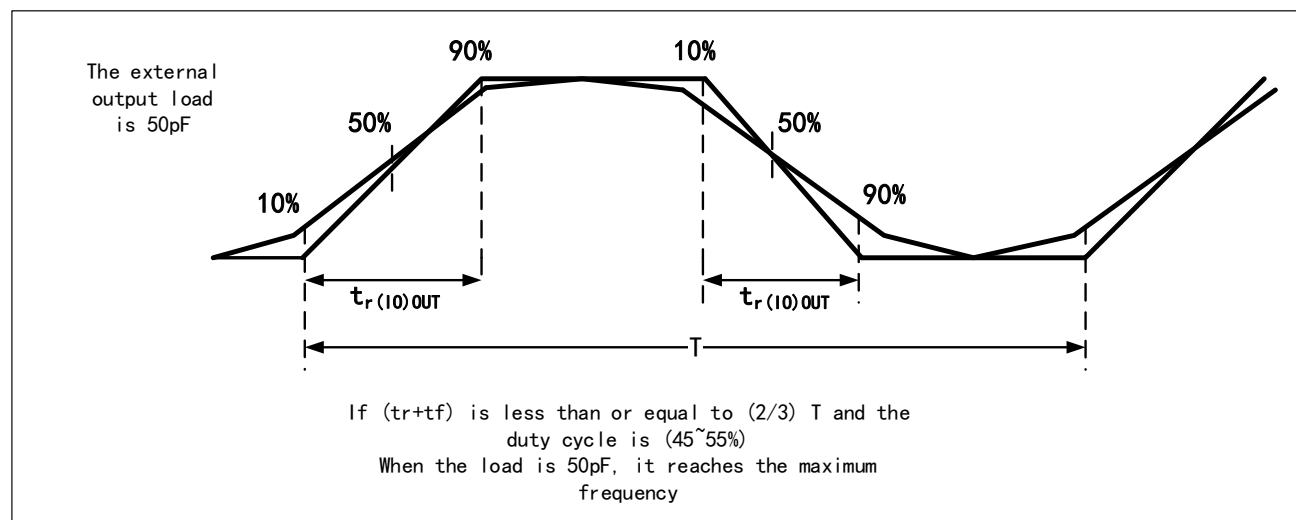
MODEy[1:0] Configuration	Symbol	Parameter	Conditions	Minimum value	Maximum value	Unit
10 (2MHz)	$f_{max(I/O)out}$	Maximum frequency	$CL=50\text{ pF}$ , $V_{DD}=2\sim 3.6V$	-	2	MHz
	$t_{f(I/O)out}$	Output fall time from high to low level	$CL=50\text{ pF}$ , $V_{DD}=2\sim 3.6V$	-	125	ns
	$t_{r(I/O)out}$	Output rise time from low to high level		-	125	
01 (10MHz)	$f_{max(I/O)out}$	Maximum frequency	$CL=50\text{ pF}$ , $V_{DD}=2\sim 3.6V$	-	10	MHz
	$t_{f(I/O)out}$	Output fall time from high to low level	$CL=50\text{ pF}$ , $V_{DD}=2\sim 3.6V$	-	25	ns
	$t_{r(I/O)out}$	Output rise time from low to high level		-	25	
11 (50MHz)	$f_{max(I/O)out}$	Maximum frequency	$CL=30\text{ pF}$ , $V_{DD}=2.7\sim 3.6V$	-	50	MHz

MODEy[1:0] Configuration	Symbol	Parameter	Conditions	Minimum value	Maximum value	Unit
	$t_{f(I/O)out}$	Output fall time from high to low level	CL=30 pF, V <sub>DD</sub> =2.7~3.6V	-	5	ns
	$t_{r(I/O)out}$	Output rise time from low to high level		-	5	

Note: (1) The rate of I/O port can be configured through MODEy.

(2) The data are obtained from a comprehensive evaluation and is not tested in production.

Figure 10 I/O AC Characteristics Definition



Note: It is obtained from a comprehensive evaluation and is not tested in production.

Table33 Output Drive Current Characteristics (test condition V<sub>DD</sub>=2.7~3.6V, T<sub>A</sub>=-40~105°C)

Symbol	Parameter	Conditions	Minimum value	Maximum value	Unit
V <sub>OL</sub>	Output low level voltage for an I/O pin when 8 pins are sunk at same time	IIO = +8mA 2.7V<V <sub>DD</sub> <3.6V	-	0.49	V
V <sub>OH</sub>	Output high level voltage for an I/O pin when 8 pins are sourced at same time		V <sub>DD</sub> -0.4	-	
V <sub>OL</sub>	Output low level voltage for an I/O pin when 8 pins are sunk at same time	IIO = +20mA 2.7V<V <sub>DD</sub> <3.6V	-	1.50	V
V <sub>OH</sub>	Output high level voltage for an I/O pin when 8 pins are sourced at same time		V <sub>DD</sub> -1.2	-	

### 5.9.2. NRST pin characteristics

The NRST pin input drive adopts CMOS process, which is connected with a permanent pull-up resistor R<sub>PU</sub>.

Table 34 NRST Pin Characteristics (test condition V<sub>DD</sub>=3.3V, T<sub>A</sub>=-40~105°C)

Symbol	Parameter	Conditions	Min	Type	Max	Unit
V <sub>IL(NRST)</sub>	NRST low level input voltage	-	-0.5	-	0.8	V
V <sub>IH(NRST)</sub>	NRST high level input voltage	-	2	-	V <sub>DD</sub> +0.5	

Symbol	Parameter	Conditions	Min	Type	Max	Unit
$V_{hys(NRST)}$	NRST Schmitt trigger voltage hysteresis	-	-	200	-	mV
RPU	Weak pull-up equivalent resistance	$V_{IN} = V_{SS}$	30	40	50	k $\Omega$

Note: It is obtained from a comprehensive evaluation and is not tested in production.

## 5.10. Communication peripherals

### 5.10.1. I2C peripheral characteristics

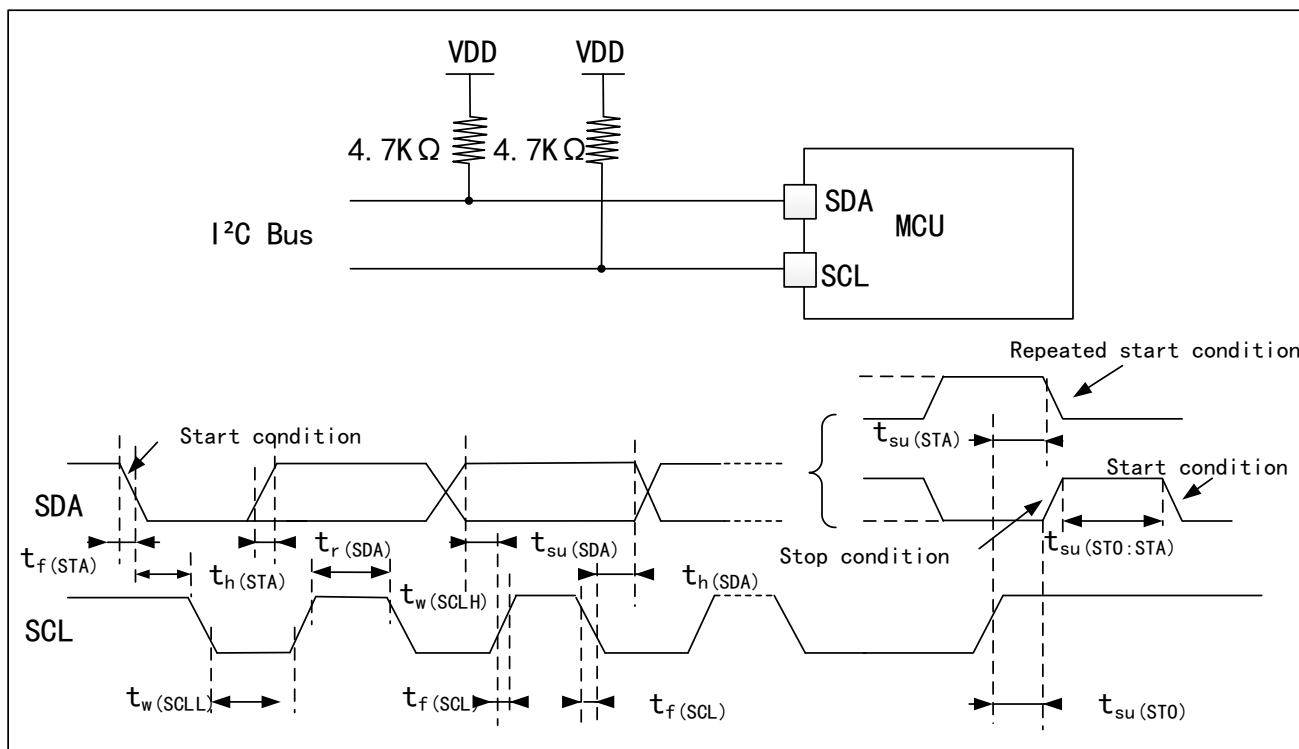
To achieve maximum frequency of I2C in standard mode,  $f_{PCLK1}$  must be greater than 2MHz. To achieve maximum frequency of I2C in fast mode,  $f_{PCLK1}$  must be greater than 4MHz.

Table 35 I2C Interface Characteristics ( $T_A=25^\circ\text{C}$ ,  $V_{DD}=3.3\text{V}$ )

Symbol	Parameter	Standard I2C		Fast I2C		Unit
		Min	Max	Min	Max	
$t_{w(SCLL)}$	SCL clock low time	4.7	-	1.3	-	$\mu\text{s}$
$t_{w(SCLH)}$	SCL clock high time	4.0	-	0.6	-	
$t_{su(SDA)}$	SDA setup time	250	-	100	-	ns
$t_h(SDA)$	SDA data hold time	-	503.65	-	900	
$t_{r(SDA)}/t_{r(SCL)}$	SDA and SCL rise time	-	1000	-	300	
$t_{f(SDA)}/t_{f(SCL)}$	SDA and SCL fall time	-	300	-	300	
$t_h(STA)$	Start condition hold time	4.0	-	0.6	-	$\mu\text{s}$
$t_{su(STA)}$	Repeated start condition setup time	4.7	-	0.6	-	
$t_{su(STO)}$	Setup time of stop condition	4.0	-	0.6	-	
$t_{w(STO:STA)}$	Time from stop condition to start condition (bus idle)	4.7	-	1.3	-	

Note: It is obtained from a comprehensive evaluation and is not tested in production.

Figure 11 I2C Bus AC Waveform and Measurement Circuit



Note: The measuring points are set at CMOS levels:  $0.3V_{DD}$  and  $0.7V_{DD}$ .

### 5.10.2. SPI peripheral characteristics

Table 36 SPI Characteristics ( $T_A=25^{\circ}C$ ,  $V_{DD}=3.3V$ )

Symbol	Parameter	Conditions	Minimum value	Maximum value	Unit
$f_{SCK}$ $1/t_{c(SCK)}$	SPI clock frequency	Master mode	-	18	MHz
		Slave mode	-	18	
$t_{r(SCK)}$ $t_{f(SCK)}$	SI clock rise and fall time	Load capacitance: $C = 30pF$	-	8	ns
$t_{su(NSS)}$	NSS setup time	Slave mode	133.23	-	ns
$t_{h(NSS)}$	NSS hold time	Slave mode	109.58	-	ns
$t_{w(SCKH)}$ $t_{w(SCKL)}$	SCK high and low time	Main mode, $f_{PCLK} = 36MHz$ , Prescaler coefficient=4	55.05	56.25	ns
$t_{su(MI)}$ $t_{su(SI)}$	Data input setup time	Master mode	15.13	-	ns
		Slave mode	17.17	-	
$t_{h(MI)}$ $t_{h(SI)}$	Data input hold time	Master mode	33.30	-	ns
		Slave mode	26.36	-	
$t_{a(SO)}$	Data output access time	Slave mode, $f_{PCLK} = 20MHz$	5.34	7.78	ns
$t_{dis(SO)}$	Data output prohibition time	Slave mode	6.62	-	ns



Symbol	Parameter	Conditions	Minimum value	Maximum value	Unit
$t_{v(SO)}$	Effective time of data output	Slave mode (after enable edge)	-	16.95	ns
$t_{v(MO)}$	Effective time of data output	Master mode (after enable edge)	-	13.10	ns
$t_{h(SO)}$	Data output hold time	Slave mode (after enable edge)	7.28	-	ns
$t_{h(MO)}$		Master mode (after enable edge)	1.04	-	

Note: It is obtained from a comprehensive evaluation and is not tested in production.

Figure 12 SPI Timing Diagram - Slave Mode and CPHA=0

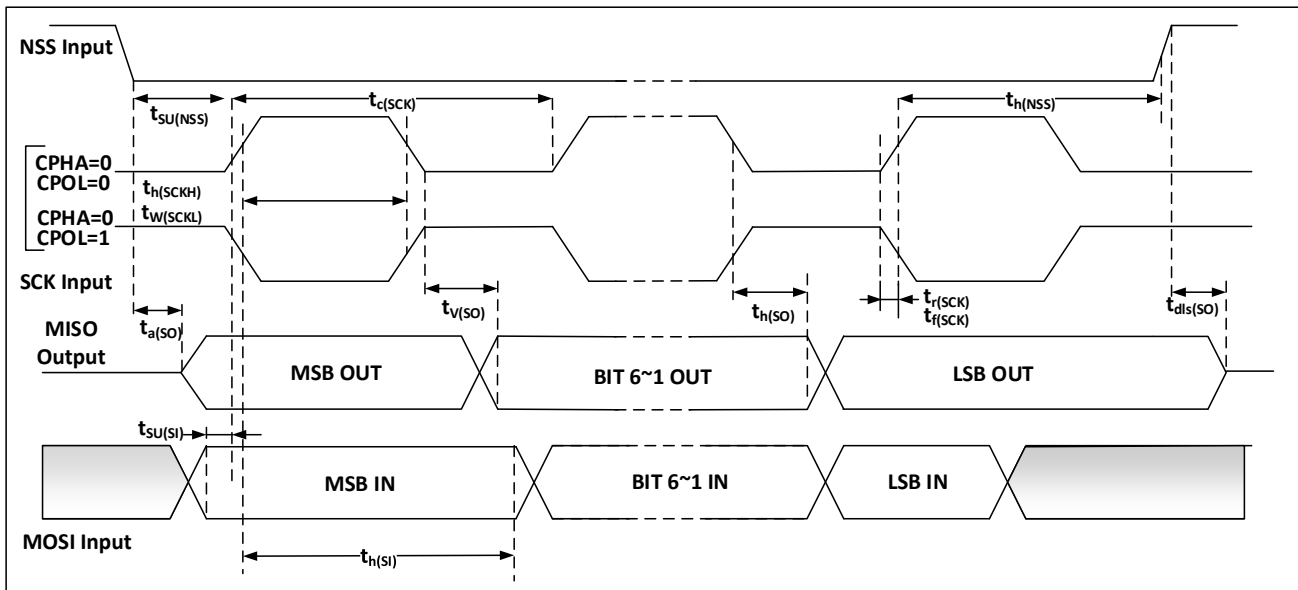
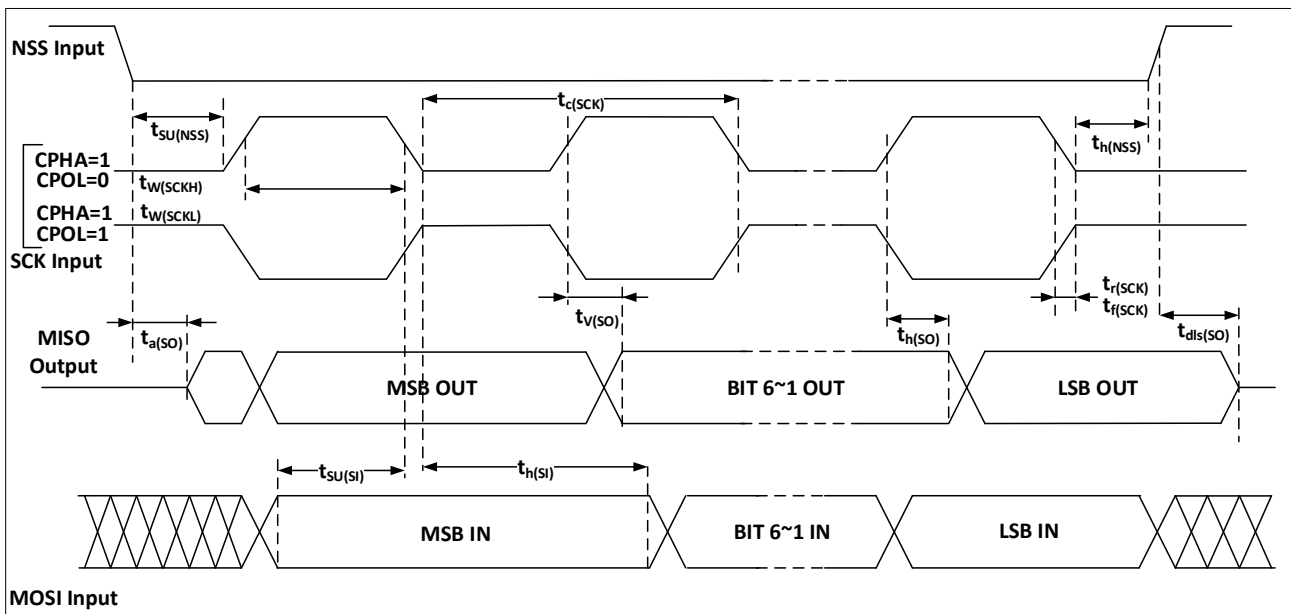
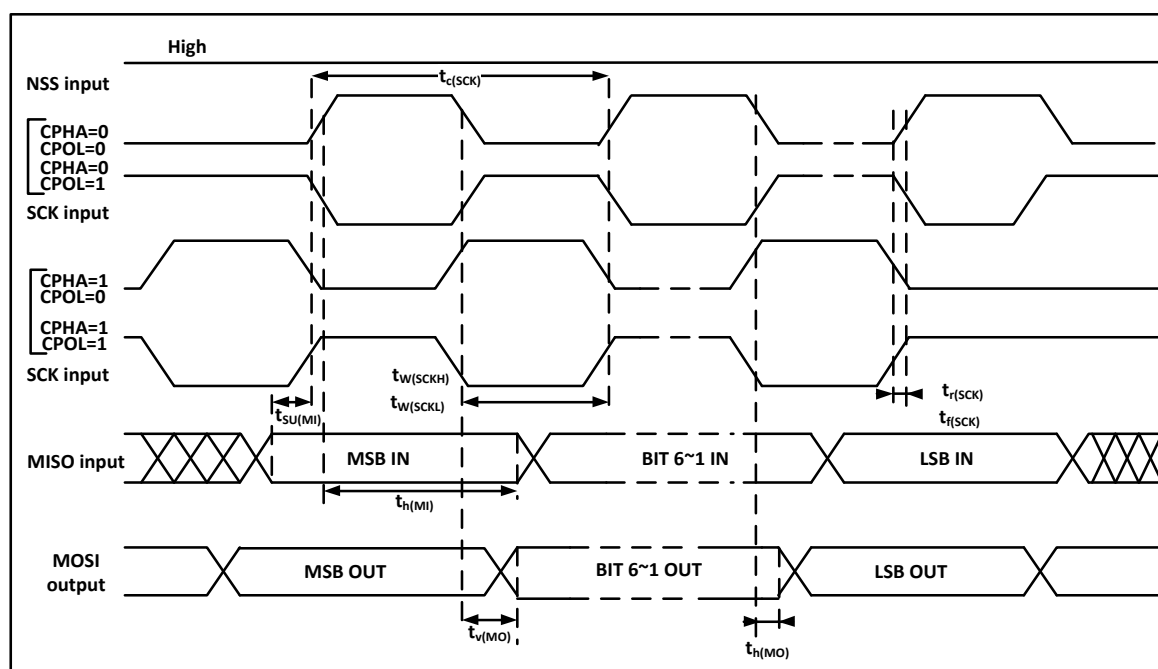


Figure 13 SPI Timing Diagram - Slave Mode and CPHA=1



Note: The measuring points are set at CMOS levels:  $0.3V_{DD}$  and  $0.7V_{DD}$ .

Figure 14 SPI Timing Diagram - Master Mode



Note: The measuring points are set at CMOS levels: 0.3V<sub>DD</sub> and 0.7V<sub>DD</sub>.

## 5.11. Analog peripherals

### 5.11.1. ADC

Test parameter description:

- Sampling rate: the number of conversion of analog quantity to digital quantity by ADC per second
- Sample rate=ADC clock/(number of sampling periods + number of conversion periods)

#### 5.11.1.1. 12-bit ADC characteristics

Table 37 12-bit ADC Characteristics

Symbol	Parameter	Conditions	Minimum value	Typical values	Maximum value	Unit
V <sub>DDA</sub>	Power supply voltage	-	2.4	-	3.6	V
I <sub>DDA</sub>	ADC power consumption	V <sub>DDA</sub> =3.3V, f <sub>ADC</sub> =14MHz, Sampling time=1.5 f <sub>ADC</sub>	-	1	-	mA
f <sub>ADC</sub>	ADC frequency	-	0.6	-	14	MHz
C <sub>ADC</sub>	Internal sampling and holding capacitance	-	-	8	-	pF
R <sub>ADC</sub>	Sampling resistor	-	-	-	1000	Ω
t <sub>s</sub>	Sample Time	f <sub>ADC</sub> =14MHz	0.107	-	17.1	μs
T <sub>CONV</sub>	Sampling and conversion time	f <sub>ADC</sub> =14MHz, 12-bit conversion	1	-	18	μs

Table 38 12-bit ADC Accuracy

Symbol	Parameter	Conditions	Typical values	Maximum value	Unit
ET	Composite error	$f_{PCLK}=56\text{MHz}$ , $f_{ADC}=14\text{MHz}$ , $V_{DDA}=2.4\text{V}-3.6\text{V}$ $T_A=-40^\circ\text{C}\sim 105^\circ\text{C}$	-	4.56	LSB
EO	Offset error		-	2.79	
EG	Gain error		-	2.32	
ED	Differential linear error		-	2.73	
EL	Integral linear error		-	2.86	

Note: It is obtained from a comprehensive evaluation and is not tested in production.

### 5.11.1.2. Test of Built-in Reference Voltage Characteristics

Table 39 Embedded Reference Voltage Characteristics

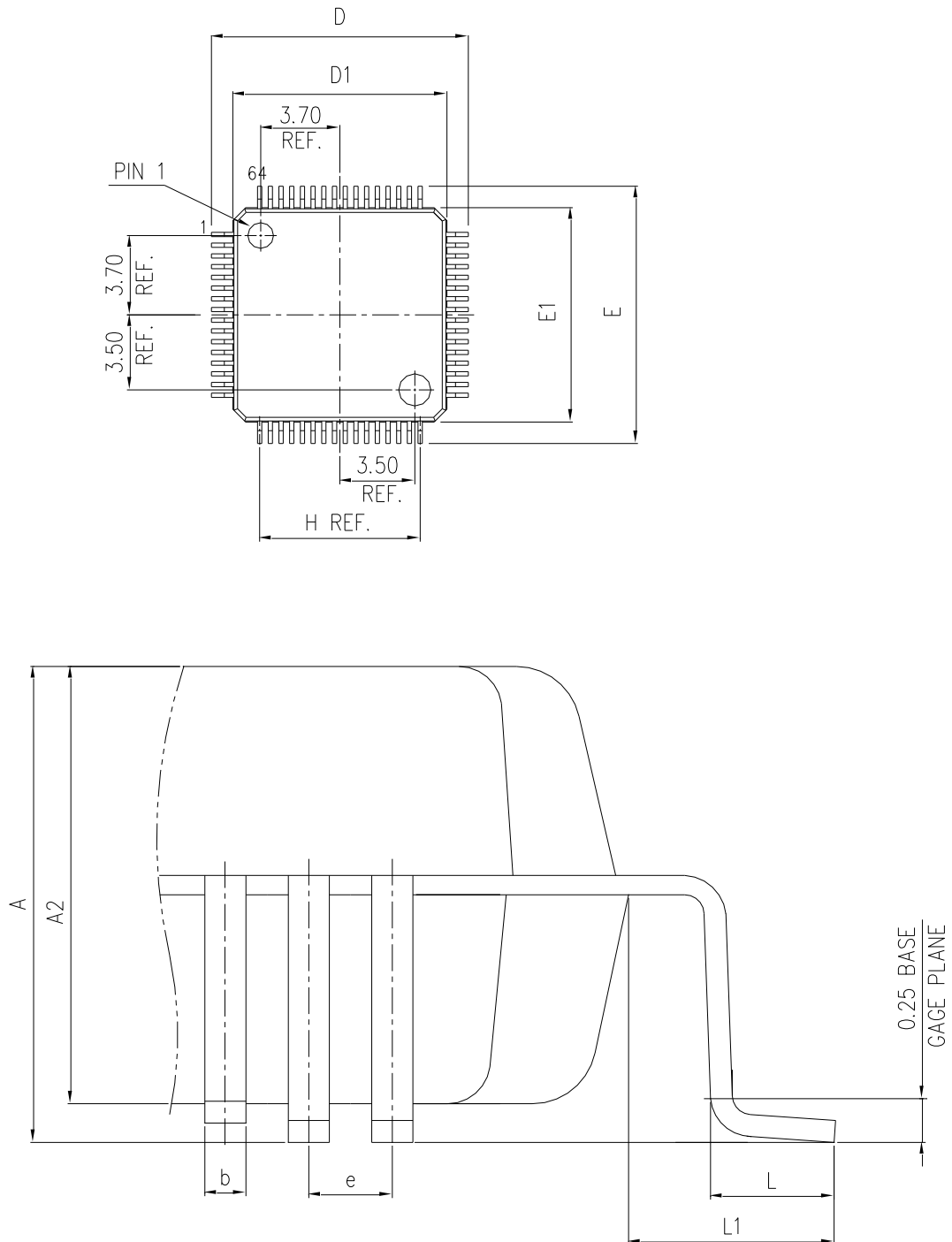
Symbol	Parameter	Conditions	Minimum value	Typical values	Maximum value	Unit
$V_{REFINT}$	Built-in Reference Voltage	$-40^\circ\text{C} < T_A < +105^\circ\text{C}$ $V_{DD}= 2-3.6\text{V}$	1.16	1.21	1.26	V
$T_{S\_vrefint}$	Sampling time of ADC when reading out internal reference voltage	-	-	5.1	17.1	$\mu\text{s}$
$V_{RERINT}$	Built-in reference voltage extends to temperature range	$V_{DD}=3\text{V} \pm 10\text{mV}$	-	-	18	mV
$T_{coeff}$	Temperature coefficient	-	-	-	104	ppm/ $^\circ\text{C}$

Note: It is obtained from a comprehensive evaluation and is not tested in production.

## 6. Package information

### 6.1. LQFP64 package diagram

Figure 15 LQFP64 Package Diagram



- (1) The figure is not drawn to scale.
- (2) All pins should be soldered to the PCB

Table 40 LQFP64 Package Data

DIMENSION LIST (FOOTPRINT: 2.00)			
S/N	SYM	DIMENSIONS	REMARKS
1	A	MAX. 1.600	OVERALL HEIGHT
2	A2	1.400±0.050	PKG THICKNESS
3	D	12.000±0.200	LEAD TIP TO TIP
4	D1	10.000±0.100	PKG LENGTH
5	E	12.000±0.200	LEAD TIP TO TIP
6	E1	10.000±0.100	PKG WIDTH
7	L	0.600±0.150	FOOT LENGTH
8	L1	1.000 REF	LEAD LENGTH
9	e	0.500 BASE	LEAD PITCH
10	H (REF)	(7.500)	CUM LEAD PITCH
11	b	0.22±0.050	LEAD WIDTH

(1) Dimensions are expressed in mm

Figure 16 LQFP64 pins recommended welding Layout

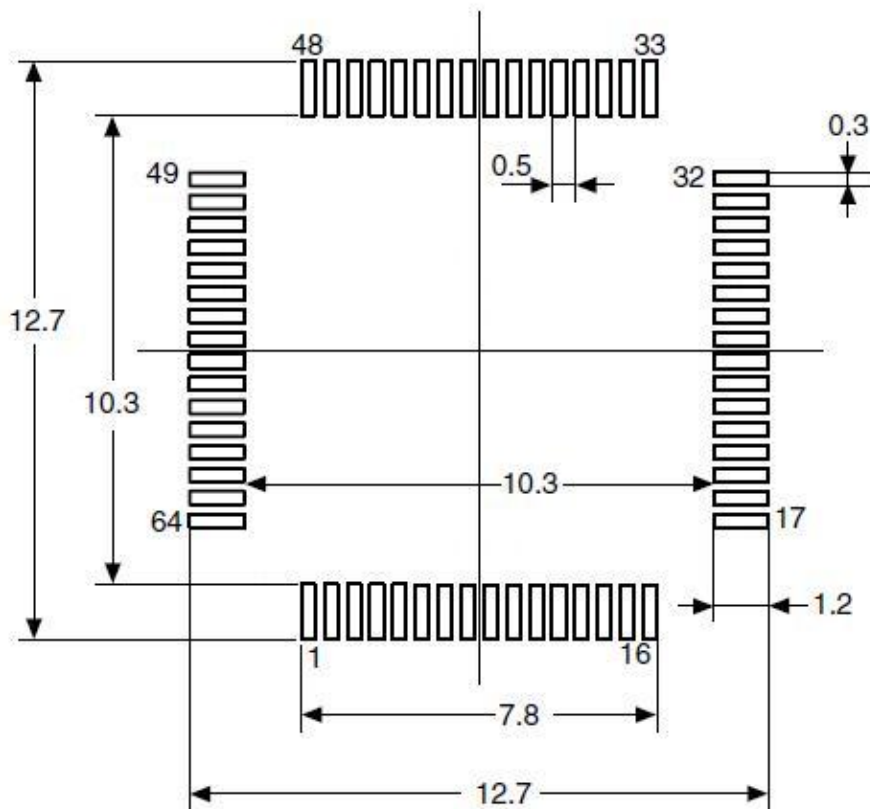
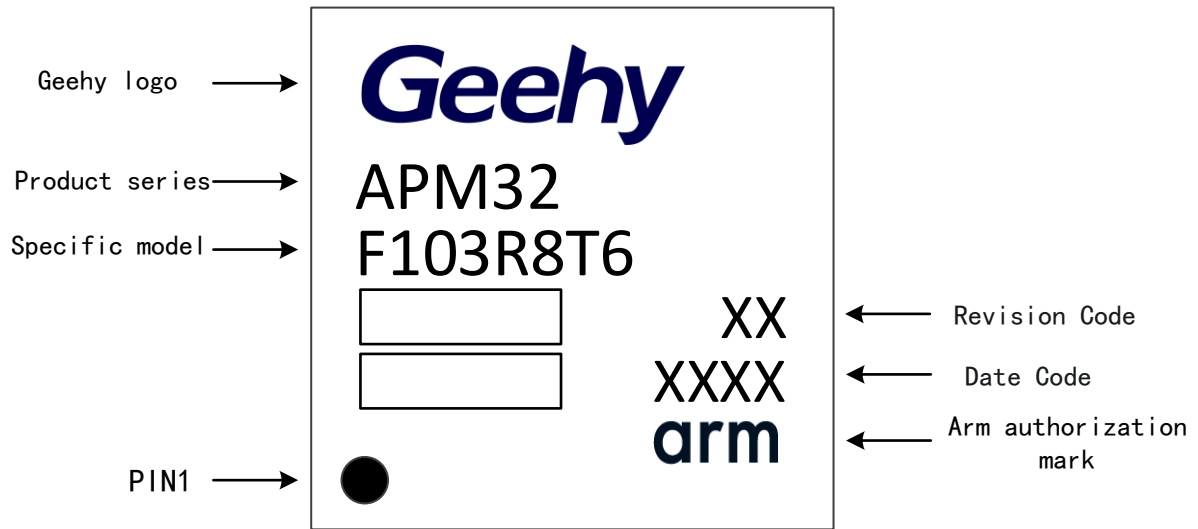
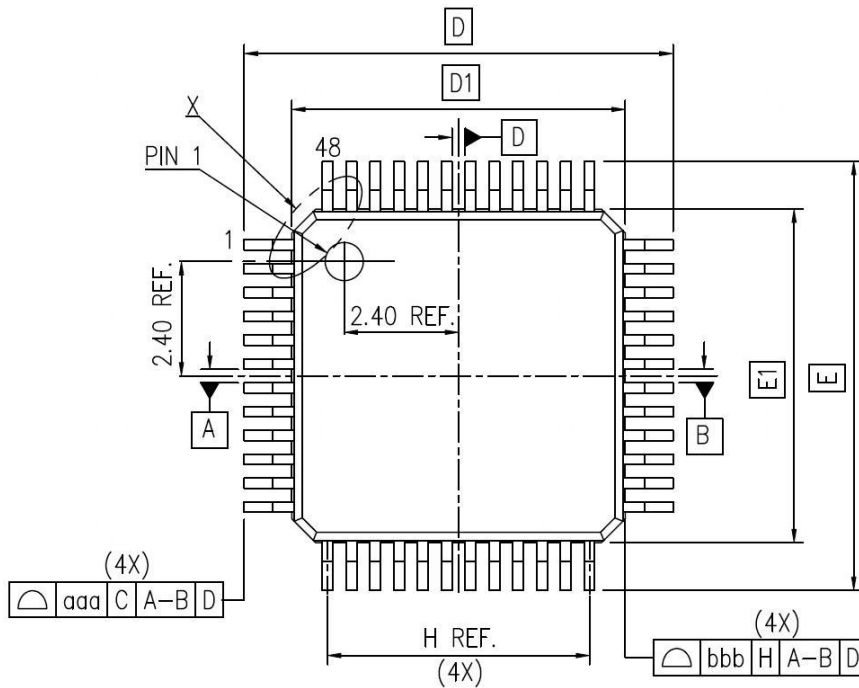


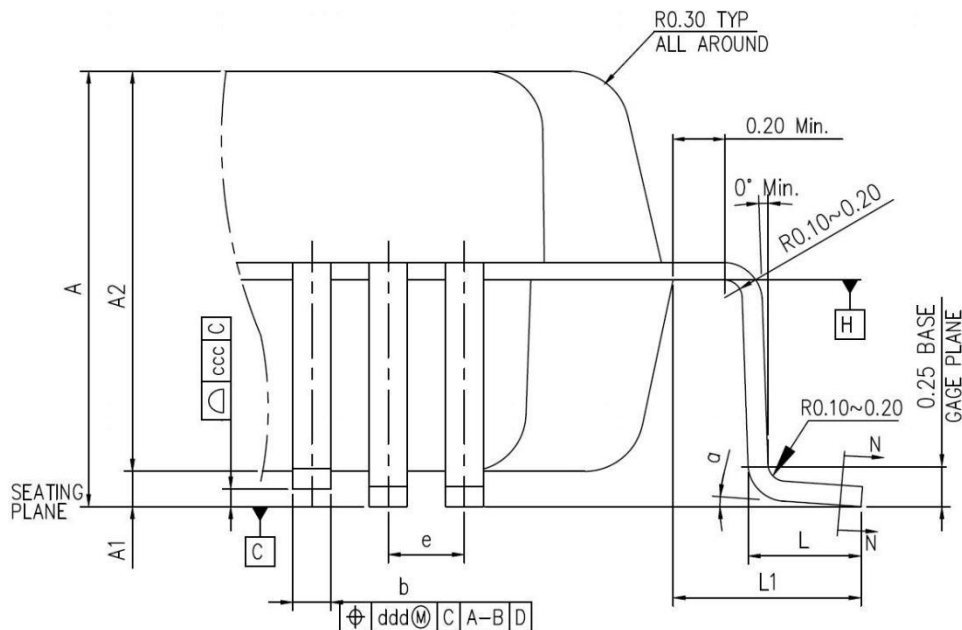
Figure 17 LQFP64 pins package identification



## 6.2. LQFP48 Package Diagram

Figure 18 LQFP48 Package Diagram





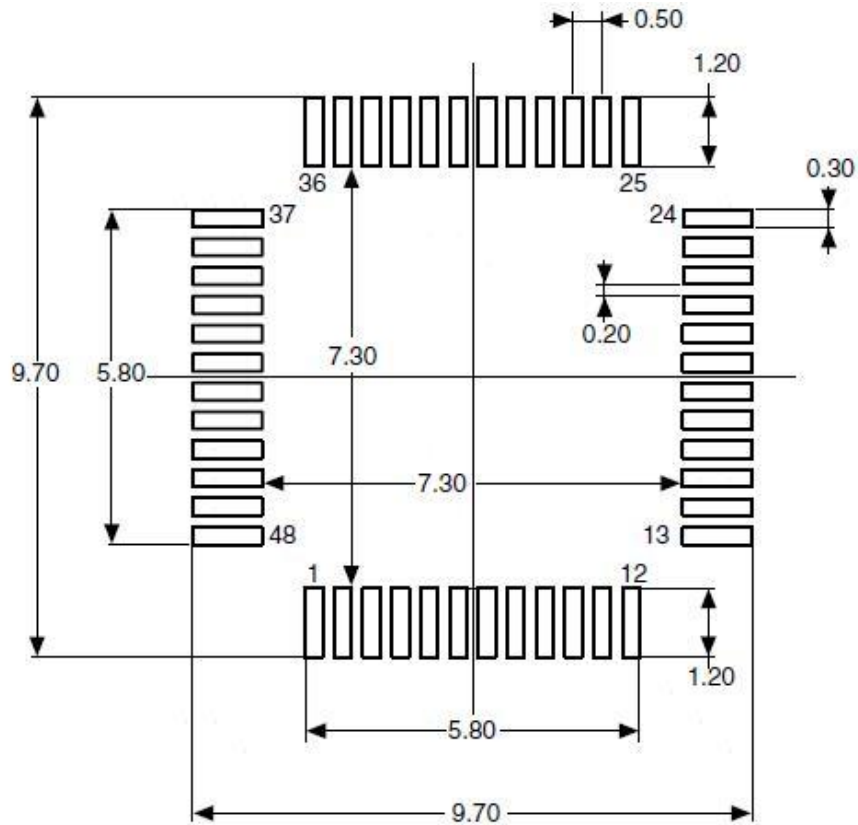
- (1) The figure is not drawn to scale.
- (2) All pins should be soldered to the PCB

Table 41 LQFP48 Package Data

DIMENSION LIST(FOOTPRINT: 2.00)			
S/N	SYM	DIMENSIONS	REMARKS
1	A	MAX. 1.60	OVERALL HEIGHT
2	A1	0.1±0.05	STANDOFF
3	A2	1.40±0.05	PKG THICKNESS
4	D	9.00±0.20	LEAD TIP TO TIP
5	D1	7.00±0.10	PKG LENGTH
6	E	9.00±0.20	LEAD TIP TO TIP
7	E1	7.00±0.10	PKG WIDTH
8	L	0.60±0.15	FOOT LENGTH
9	L1	1.00 REF	LEAD LENGTH
10	T	0.15	LEAD THICKNESS
11	T1	0.127±0.03	LEAD BASE METAL THICKNESS
12	a	0°~7°	FOOT ANGLE
13	b	0.22±0.02	LEAD WIDTH
14	b1	0.20±0.03	LEAD BASE METAL WIDTH
15	e	0.50 BASE	LEAD PITCH
16	H(REF.)	(5.50)	CUM. LEAD PITCH
17	aaa	0.2	PROFILE OF LEAD TIPS
18	bbb	0.2	PROFILE OF MOLD SURFACE
19	ccc	0.08	FOOT COPLANARITY
20	ddd	0.08	FOOT POSITION

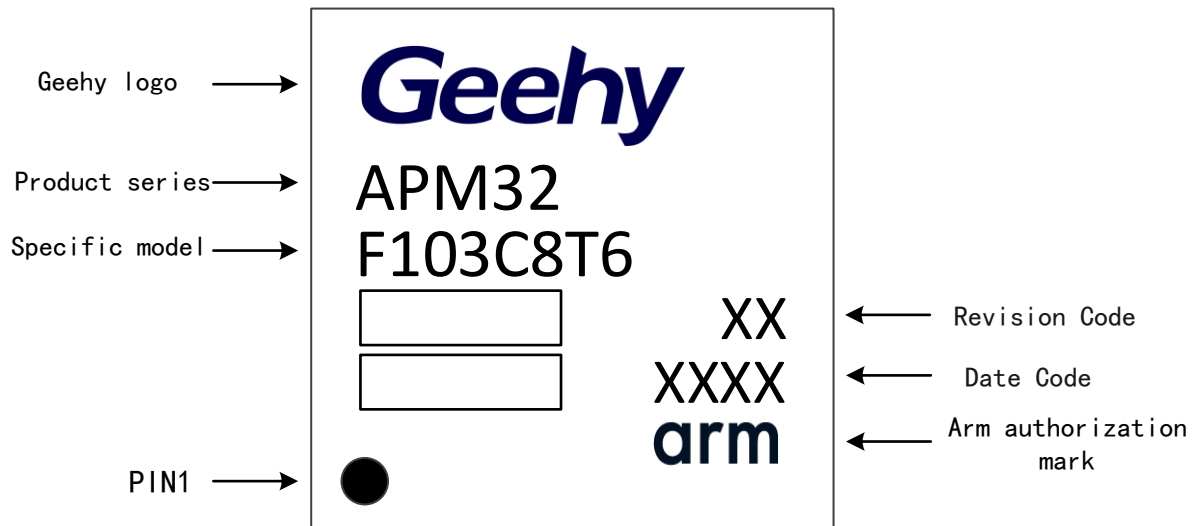
- (1) Dimensions are expressed in mm

Figure 19 LQFP48 recommended welding Layout



(1) Dimensions are expressed in mm

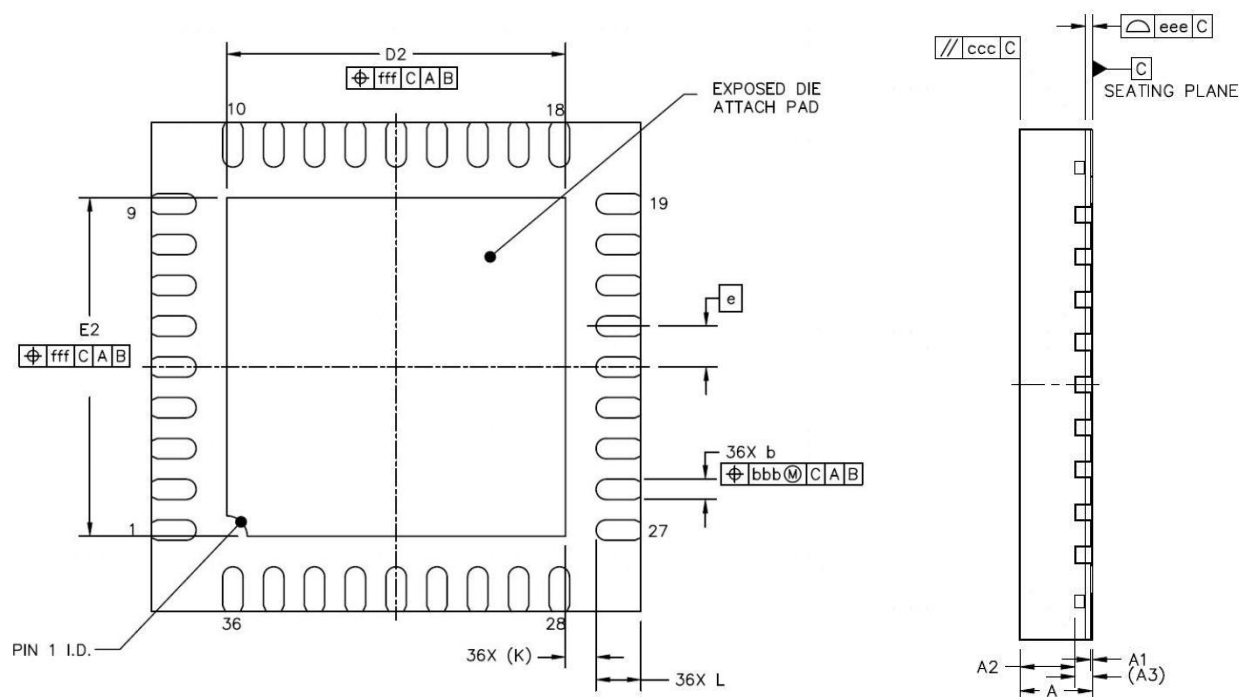
Figure 20 LQFP48 pins identification diagram





### 6.3. QFN36 package diagram

Figure 21 QFN36 Package Diagram



- (1) Drawing is not to scale.
- (2) The inside of the pad on the back is not connected to  $V_{SS}$  or  $V_{DD}$ .
- (3) There is a pad on the bottom of the QFN package that should be soldered to the PCB.
- (4) All pins should be soldered to the PCB.

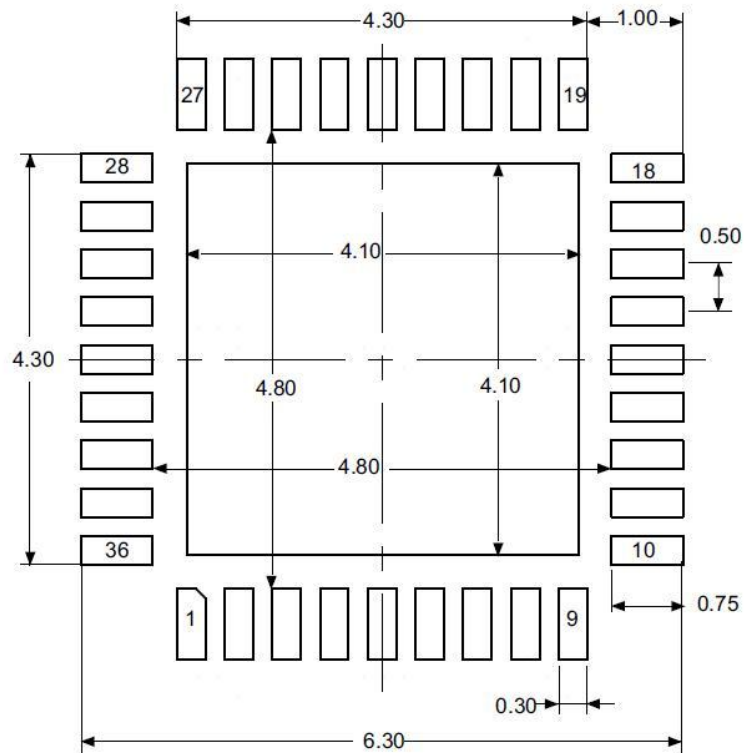
Table 42 QFN36 Package Data

		SYMBOL	MIN	NOD	MAX
TOTAL THCKNESS		A	0.8	0.85	0.9
STANO OFF		A1	0	0.02	0.05
MOLO THCKNESS		A2	---	0.65	---
L/F THCKNESS		A3	0.203REF		
LEAD WIDTH		b	0.2	0.25	0.3
BOOY SIZE	X	D	6 BSC		
	Y	E	6 BSC		
LEAD PITCH		e	0.5 BSC		
EP SIZE	X	D2	4.05	4.15	4.25
	Y	E2	4.05	4.15	4.25
LEAD LENGTH		L	0.45	0.55	0.65
LEAD TIP TO EXPOSE PAD EDGE		k	0.375 REF		
PACKAGE EOGE TOLERANCE		aaa	0.1		
MOLD FLATNESS		ccc	0.1		
COPLANARITY		eee	0.08		

	SYMBOL	MIN	NOD	MAX
LEAD OFFSET	bbb		0.1	
EXPOSED PAD OFFSET	fff		0.1	

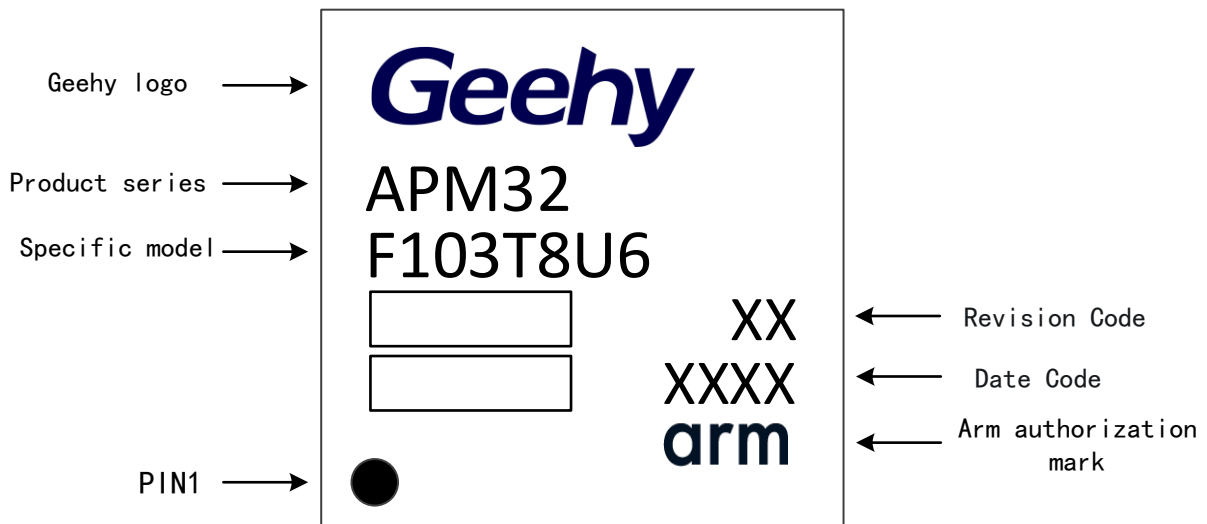
(1) Dimensions are expressed in mm

Figure 22 QFN36 pin Welding Layout Proposal



(1) Dimensions in millimeters.

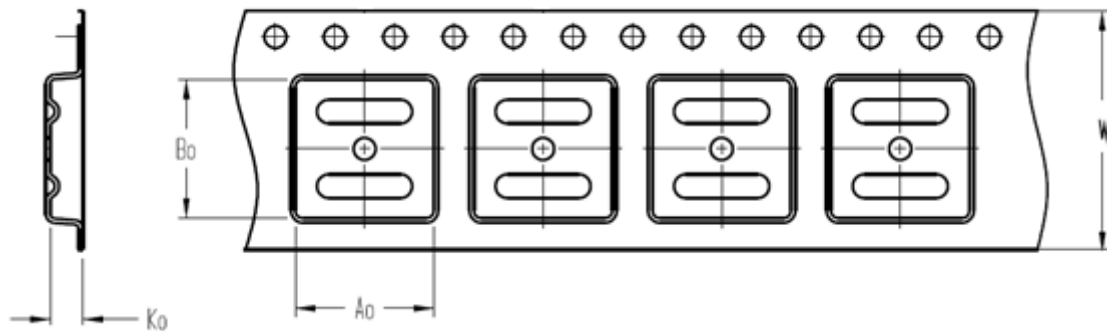
Figure 23 QFN36 pins package identification



## 7. Packaging information

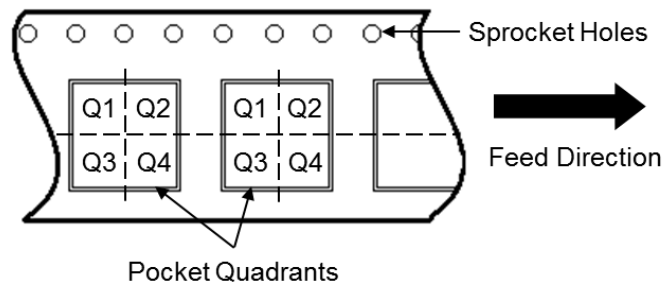
### 7.1. Reel packaging

Figure 24 Specification Drawing of Reel Packaging

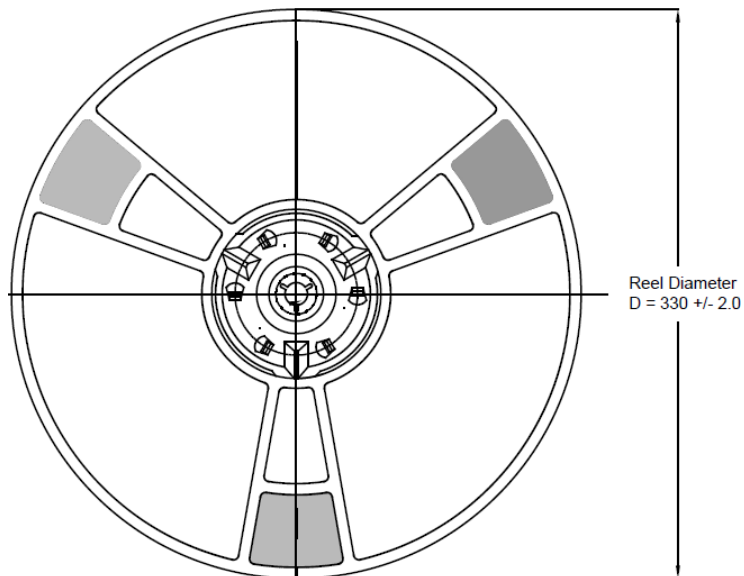


A0	Dimension designed to accommodate the component width
B0	Dimension designed to accommodate the component length
K0	Dimension designed to accommodate the component thickness
W	Overall width of the carrier tape

#### Quadrant Assignments for PIN1 Orientation in Tape



Reel Dimensions



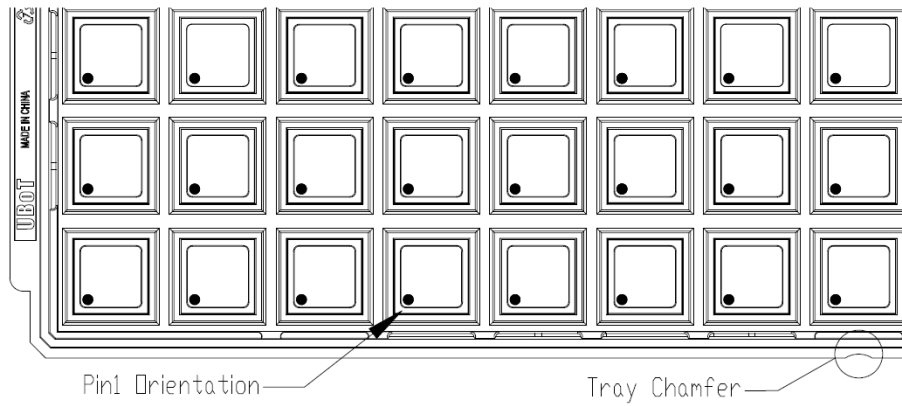
All photos are for reference only, and the appearance is subject to the product.

Table 43 Reel Packaging Parameter Specification Table

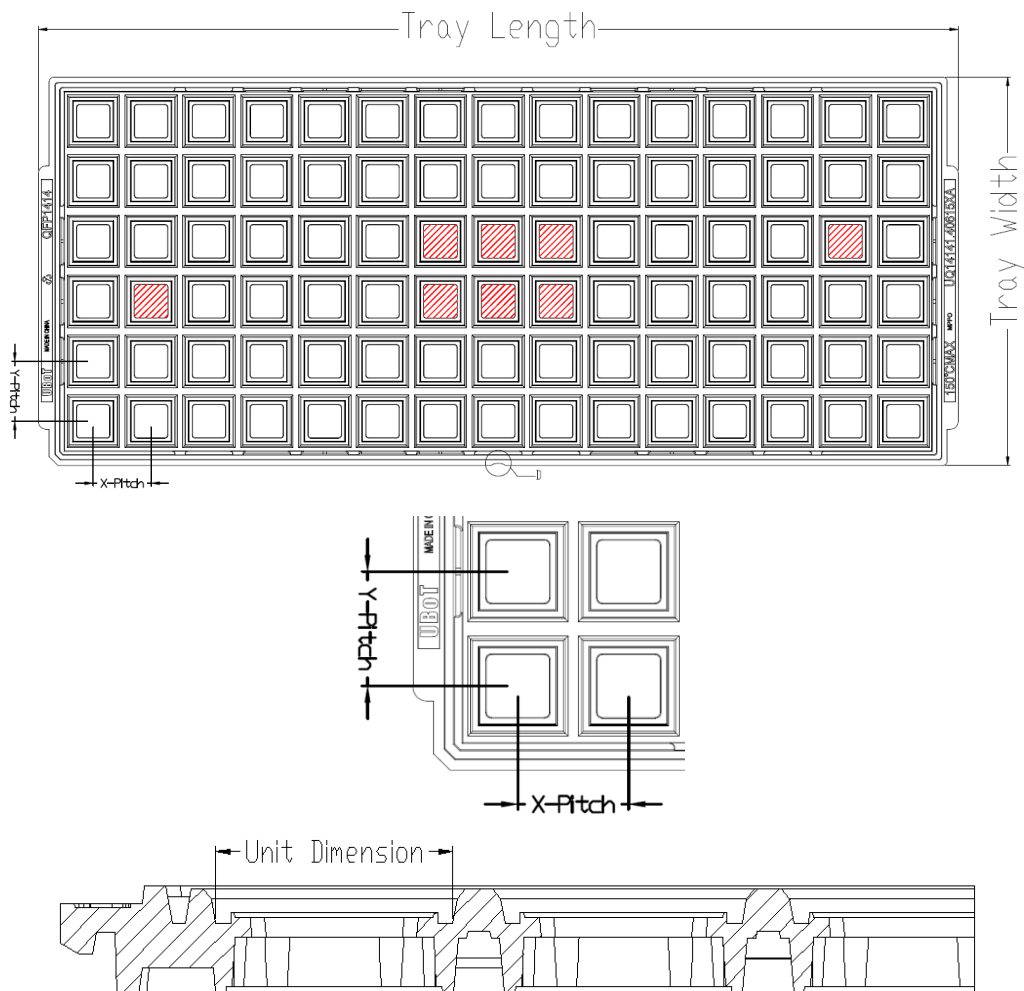
Device	Package Type	Pins	SPQ	Reel Diameter (mm)	A0 (mm)	B0 (mm)	K0 (mm)	W (mm)	Pin1 Quadrant
APM32F103R8T6	LQFP	64	1000	330	12.35	12.35	2.2	24	Q1
APM32F103R6T6	LQFP	64	1000	330	12.35	12.35	2.2	24	Q1
APM32F103R4T6	LQFP	64	1000	330	12.35	12.35	2.2	24	Q1
APM32F103C8T6	LQFP	48	2000	330	9.3	9.3	2.2	16	Q1
APM32F103C6T6	LQFP	48	2000	330	9.3	9.3	2.2	16	Q1
APM32F103C4T6	LQFP	48	2000	330	9.3	9.3	2.2	16	Q1
APM32F103T8U6	QFN	36	2500	330	6.4	6.4	1.4	16	Q1
APM32F103T6U6	QFN	36	2500	330	6.4	6.4	1.4	16	Q1
APM32F103T4U6	QFN	36	2500	330	6.4	6.4	1.4	16	Q1

## 7.2. Tray packaging

Figure 25 Tray Packaging Diagram



### Tray Dimensions



All photos are for reference only, and the appearance is subject to the product.

Table 44 Tray Packaging Parameter Specification Table

Device	Package Type	Pins	SPQ	X-Dimension (mm)	Y-Dimension (mm)	X-Pitch (mm)	Y-Pitch (mm)	Tray Length (mm)	Tray Width (mm)
APM32F103R8T6	LQFP	64	1600	12.3	12.3	15.2	15.7	322.6	135.9
APM32F103R6T6	LQFP	64	1600	12.3	12.3	15.2	15.7	322.6	135.9
APM32F103R4T6	LQFP	64	1600	12.3	12.3	15.2	15.7	322.6	135.9
APM32F103C8T6	LQFP	48	2500	9.7	9.7	12.2	12.6	322.6	135.9
APM32F103C6T6	LQFP	48	2500	9.7	9.7	12.2	12.6	322.6	135.9
APM32F103C4T6	LQFP	48	2500	9.7	9.7	12.2	12.6	322.6	135.9
APM32F103T8U6	QFN	36	4900	6.2	6.2	8.8	9.2	322.6	135.9
APM32F103T6U6	QFN	36	4900	6.2	6.2	8.8	9.2	322.6	135.9
APM32F103T4U6	QFN	36	4900	6.2	6.2	8.8	9.2	322.6	135.9

## 8. Ordering information

Figure 26 Product Naming Rules

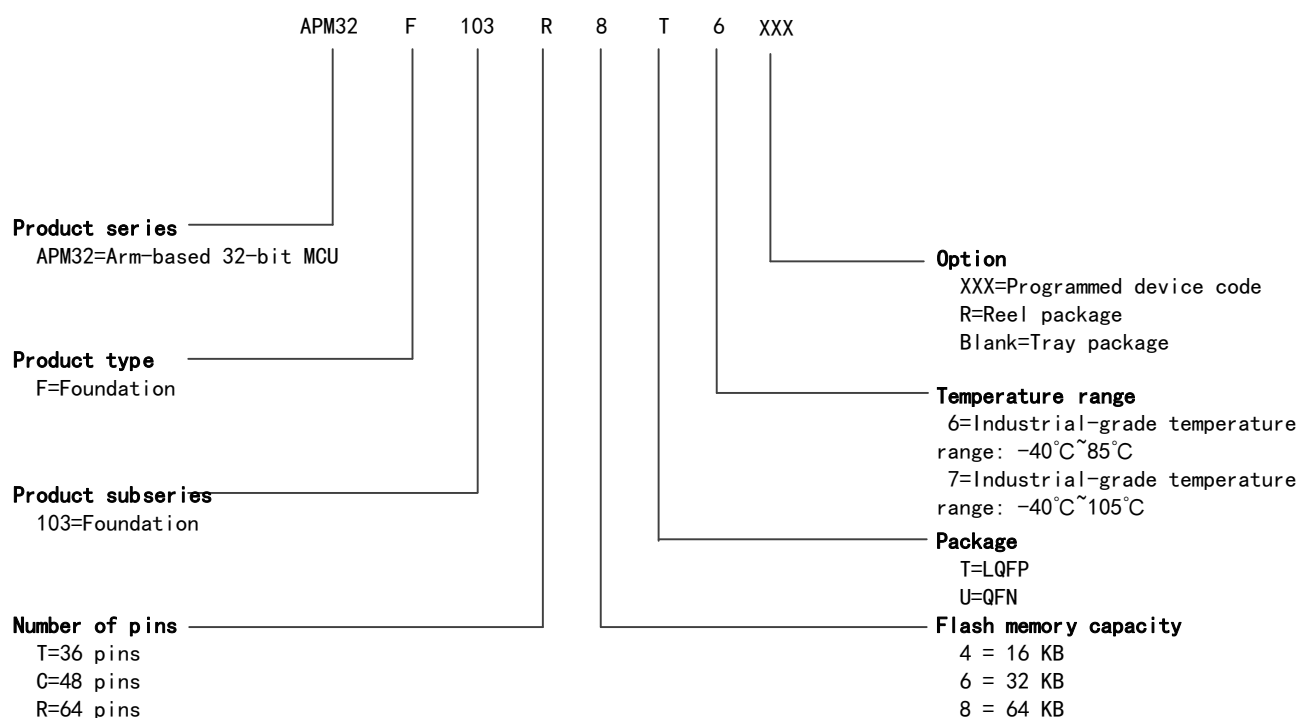


Table 45 Ordering Information Table

Order Code	Flash (KB)	SRAM (KB)	Package	SPQ	Temperature Range
APM32F103R8T6	64	20	LQFP64	1600	Industrial grade -40°C~85°C
APM32F103R6T6	32	10	LQFP64	1600	Industrial grade -40°C~85°C
APM32F103R4T6	16	6	LQFP64	1600	Industrial grade -40°C~85°C
APM32F103C8T6	64	20	LQFP48	2500	Industrial grade -40°C~85°C
APM32F103C6T6	32	10	LQFP48	2500	Industrial grade -40°C~85°C
APM32F103C4T6	16	6	LQFP48	2500	Industrial grade -40°C~85°C
APM32F103T8U6	64	20	QFN36	4900	Industrial grade -40°C~85°C
APM32F103T6U6	32	10	QFN36	4900	Industrial grade -40°C~85°C
APM32F103T4U6	16	6	QFN36	4900	Industrial grade -40°C~85°C
APM32F103R8T6-R	64	20	LQFP64	1000	Industrial grade -40°C~85°C
APM32F103R6T6-R	32	10	LQFP64	1000	Industrial grade -40°C~85°C
APM32F103R4T6-R	16	6	LQFP64	1000	Industrial grade -40°C~85°C
APM32F103C8T6-R	64	20	LQFP48	2000	Industrial grade -40°C~85°C
APM32F103C6T6-R	32	10	LQFP48	2000	Industrial grade -40°C~85°C
APM32F103C4T6-R	16	6	LQFP48	2000	Industrial grade -40°C~85°C
APM32F103T8U6-R	64	20	QFN36	2500	Industrial grade -40°C~85°C
APM32F103T6U6-R	32	10	QFN36	2500	Industrial grade -40°C~85°C

Order Code	Flash (KB)	SRAM (KB)	Package	SPQ	Temperature Range
APM32F103T4U6-R	16	6	QFN36	2500	Industrial grade -40°C~85°C

Note :SPQ= Smallest Packaging Quantity



## 9. Commonly used function module denomination

Table 46 Commonly Used Function Module Denomination

Chinese description	Short name
Reset management unit	RMU
Clock management unit	CMU
Reset and clock management	RCM
External interrupt	EINT
General-purpose IO	GPIO
Multiplexing IO	AFIO
Wake up controller	WUPT
Independent watchdog timer	IWDT
Window watchdog timer	WWDT
Timer	TMR
CRC controller	CRC
Power Management Unit	PMU
DMA controller	DMA
Analog-to-digital converter	ADC
Real-time clock	RTC
External memory controller	EMMC
Controller local area network	CAN
I2C interface	I2C
Serial peripheral interface	SPI
Universal asynchronous transmitter receiver	UART
Universal synchronous and asynchronous transmitter receiver	USART
Flash interface control unit	FMC

## 10. Version history

Table 47 Document Version History

Date	Version	Change History
August, 2021	1.0	New
June, 2022	1.1	(1) Modify the name of Arm trademark (2) Add the statement
November, 2022	1.2	(1) Modify Table “Power Consumption in Sleep Mode when the Program is Executed in Flash/RAM” (2) Modify Table “Power Consumption in Run Mode when the Program is Executed in Flash/RAM” (3) Modify Table “Embedded Reference Voltage Characteristics”
October, 2024	1.3	(1) modify the pin definition of the profile name (2) the function of the modified profile description (3) Modify the table of Functions and Peripherals of APM32F103x4x6x8 Series Chips (4) Modify the address mapping figure to address mapping table (5) Add Number of erase cycles parameters in Flash Memory Characteristics (6) Add flash storage time and erase cycle
June,2025	1.4	(1) Add attention points under general operating conditions (2) Add power-on/power-off characteristics
August, 2025	1.5	(1) Remove ADC Tsensor descriptions

# Statement

This document is formulated and published by Geehy Semiconductor Co., Ltd. (hereinafter referred to as “Geehy”). The contents in this document are protected by laws and regulations of trademark, copyright and software copyright. Geehy reserves the right to make corrections and modifications to this document at any time. Read this document carefully before using Geehy products. Once you use the Geehy product, it means that you (hereinafter referred to as the “users”) have known and accepted all the contents of this document. Users shall use the Geehy product in accordance with relevant laws and regulations and the requirements of this document.

## 1. Ownership

This document can only be used in connection with the corresponding chip products or software products provided by Geehy. Without the prior permission of Geehy, no unit or individual may copy, transcribe, modify, edit or disseminate all or part of the contents of this document for any reason or in any form.

The “极海” or “Geehy” words or graphics with “®” or “™” in this document are trademarks of Geehy. Other product or service names displayed on Geehy products are the property of their respective owners.

## 2. No Intellectual Property License

Geehy owns all rights, ownership and intellectual property rights involved in this document.

Geehy shall not be deemed to grant the license or right of any intellectual property to users explicitly or implicitly due to the sale or distribution of Geehy products or this document.

If any third party’s products, services or intellectual property are involved in this document, it shall not be deemed that Geehy authorizes users to use the aforesaid third party’s products, services or intellectual property. Any information regarding the application of the product, Geehy hereby disclaims any and all warranties and liabilities of any kind, including without limitation warranties of non-infringement of intellectual property rights of any third party, unless otherwise agreed in sales order or sales contract.

## 3. Version Update

Users can obtain the latest document of the corresponding models when ordering Geehy products.

If the contents in this document are inconsistent with Geehy products, the agreement in the sales order or the sales contract shall prevail.

## 4. Information Reliability

The relevant data in this document are obtained from batch test by Geehy Laboratory or cooperative third-party testing organization. However, clerical errors in correction or errors

caused by differences in testing environment may occur inevitably. Therefore, users should understand that Geehy does not bear any responsibility for such errors that may occur in this document. The relevant data in this document are only used to guide users as performance parameter reference and do not constitute Geehy's guarantee for any product performance.

Users shall select appropriate Geehy products according to their own needs, and effectively verify and test the applicability of Geehy products to confirm that Geehy products meet their own needs, corresponding standards, safety or other reliability requirements. If losses are caused to users due to user's failure to fully verify and test Geehy products, Geehy will not bear any responsibility.

## 5. Legality

USERS SHALL ABIDE BY ALL APPLICABLE LOCAL LAWS AND REGULATIONS WHEN USING THIS DOCUMENT AND THE MATCHING GEEHY PRODUCTS. USERS SHALL UNDERSTAND THAT THE PRODUCTS MAY BE RESTRICTED BY THE EXPORT, RE-EXPORT OR OTHER LAWS OF THE COUNTRIES OF THE PRODUCTS SUPPLIERS, GEEHY, GEEHY DISTRIBUTORS AND USERS. USERS (ON BEHALF OR ITSELF, SUBSIDIARIES AND AFFILIATED ENTERPRISES) SHALL AGREE AND PROMISE TO ABIDE BY ALL APPLICABLE LAWS AND REGULATIONS ON THE EXPORT AND RE-EXPORT OF GEEHY PRODUCTS AND/OR TECHNOLOGIES AND DIRECT PRODUCTS.

## 6. Disclaimer of Warranty

THIS DOCUMENT IS PROVIDED BY GEEHY "AS IS" AND THERE IS NO WARRANTY OF ANY KIND, EITHER EXPRESSED OR IMPLIED, INCLUDING, BUT NOT LIMITED TO, THE WARRANTIES OF MERCHANTABILITY AND FITNESS FOR A PARTICULAR PURPOSE, TO THE EXTENT PERMITTED BY APPLICABLE LAW.

GEEHY'S PRODUCTS ARE NOT DESIGNED, AUTHORIZED, OR WARRANTED FOR USE AS CRITICAL COMPONENTS IN MILITARY, LIFE-SUPPORT, POLLUTION CONTROL, OR HAZARDOUS SUBSTANCES MANAGEMENT SYSTEMS, NOR WHERE FAILURE COULD RESULT IN INJURY, DEATH, PROPERTY OR ENVIRONMENTAL DAMAGE.

IF THE PRODUCT IS NOT LABELED AS "AUTOMOTIVE GRADE," IT SHOULD NOT BE CONSIDERED SUITABLE FOR AUTOMOTIVE APPLICATIONS. GEEHY ASSUMES NO LIABILITY FOR THE USE BEYOND ITS SPECIFICATIONS OR GUIDELINES.

THE USER SHOULD ENSURE THAT THE APPLICATION OF THE PRODUCTS COMPLIES WITH ALL RELEVANT STANDARDS, INCLUDING BUT NOT LIMITED TO SAFETY, INFORMATION SECURITY, AND ENVIRONMENTAL REQUIREMENTS. THE USER ASSUMES FULL RESPONSIBILITY FOR THE SELECTION AND USE OF GEEHY PRODUCTS. GEEHY WILL BEAR NO RESPONSIBILITY FOR ANY DISPUTES ARISING FROM THE SUBSEQUENT DESIGN OR USE BY USERS.

## 7. Limitation of Liability

IN NO EVENT, UNLESS REQUIRED BY APPLICABLE LAW OR AGREED TO IN WRITING WILL GEEHY OR ANY OTHER PARTY WHO PROVIDES THE DOCUMENT AND

PRODUCTS "AS IS", BE LIABLE FOR DAMAGES, INCLUDING ANY GENERAL, SPECIAL, DIRECT, INCIDENTAL OR CONSEQUENTIAL DAMAGES ARISING OUT OF THE USE OR INABILITY TO USE THE DOCUMENT AND PRODUCTS (INCLUDING BUT NOT LIMITED TO LOSSES OF DATA OR DATA BEING RENDERED INACCURATE OR LOSSES SUSTAINED BY USERS OR THIRD PARTIES). THIS COVERS POTENTIAL DAMAGES TO PERSONAL SAFETY, PROPERTY, OR THE ENVIRONMENT, FOR WHICH GEEHY WILL NOT BE RESPONSIBLE.

#### 8. Scope of Application

The information in this document replaces the information provided in all previous versions of the document.

© 2025 Geehy Semiconductor Co., Ltd. - All Rights Reserved